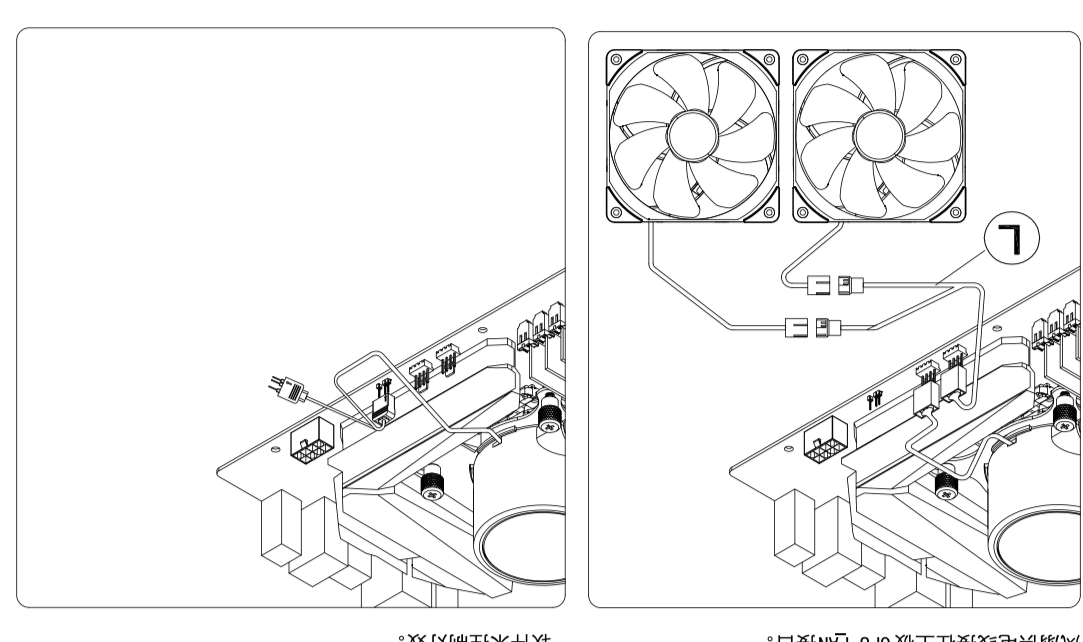


www.thermalright.com



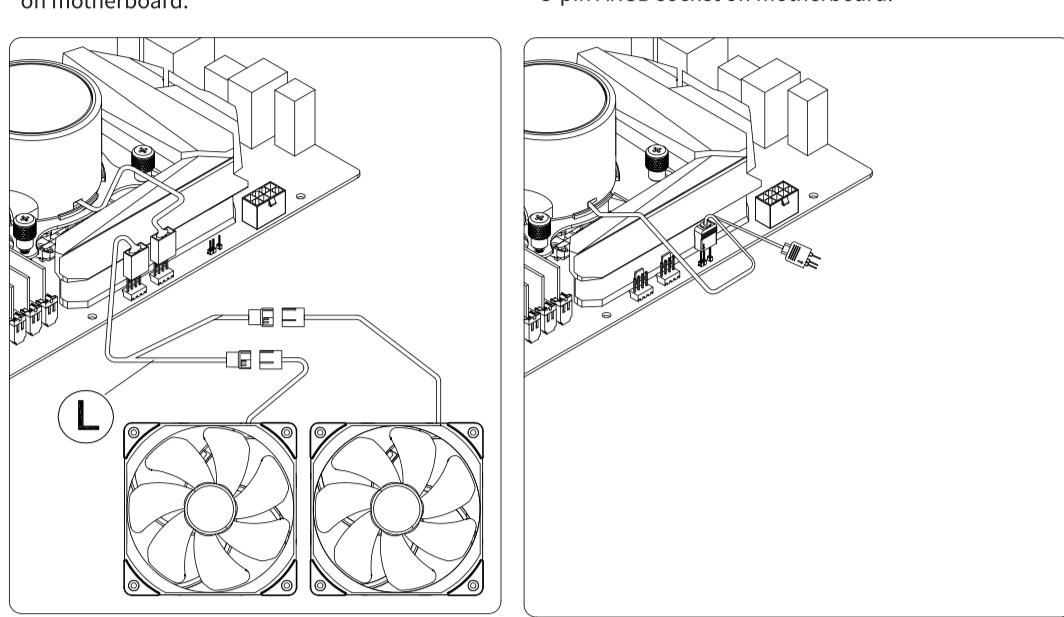
■ 在主机上安装供电线和RGB线
冷头电源线接在主板的CPU_OPT接口即可通过主板的灯光软件来控制灯光
风扇供电线接在主板的CPU_FAN接口
风扇供电线接在主板的CPU_FAN接口

冷头/风扇使用说明

Waterblock/Fan Guide

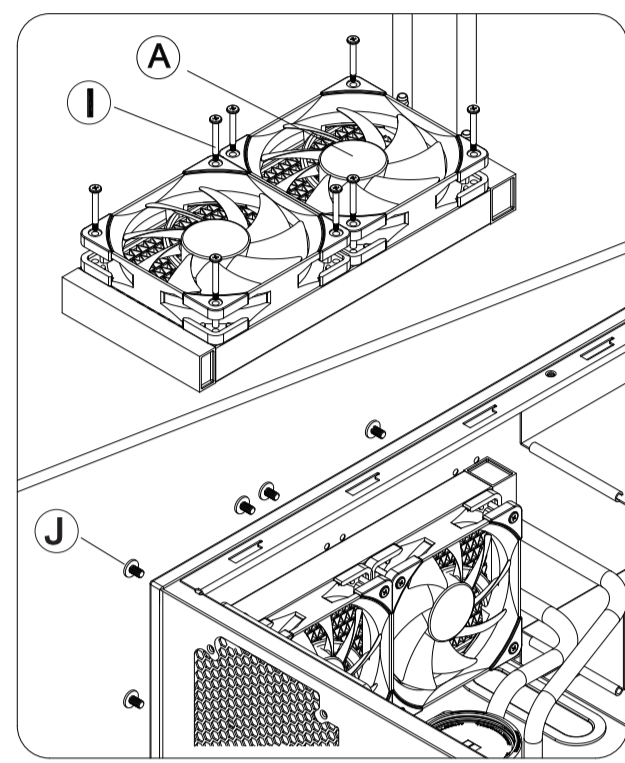
■ Connect the waterblock pump power cable to CPU_OPT socket
Connect fan power cable to CPU_FAN socket on motherboard.

Waterblock RGB lighting can be control by motherboard by connecting lighting cable to 3-pin ARGB socket on motherboard.



www.thermalright.com

Fan&Radiator Mounting

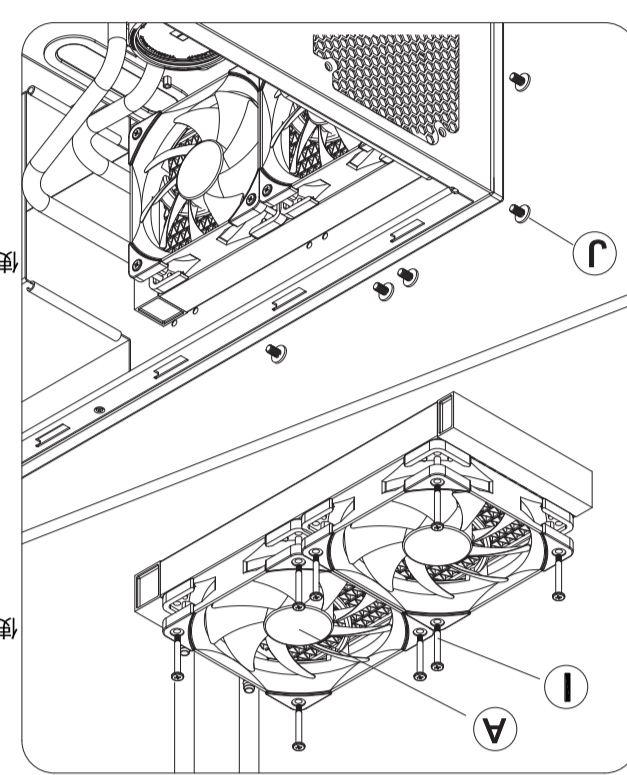


Use long fan mounting screws to install fans on the radiator.

Use short radiator mounting screws to install radiator to the case.

www.thermalright.com

www.thermalright.com

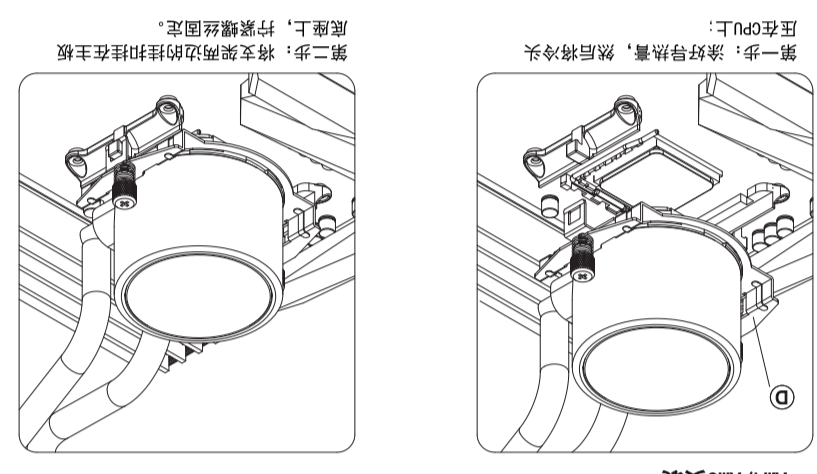


使用水箱螺丝，将水箱固定在机箱上。

使用风扇螺丝，将风扇固定在水排上。

风扇与冷排安装

www.thermalright.com

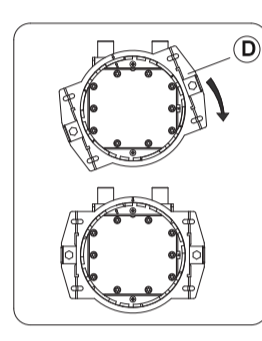


AMD安装

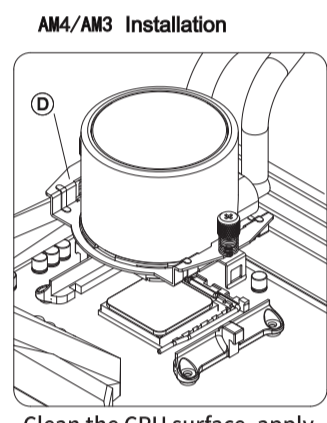
AMD冷头支架的安装
（注意金属触点位置，避免在外壳上刮伤CPU表面）

AMD/AM3安装
压好导热膏，然后移水冷头
第二步：将支架对准CPU插座并压入CPU上，拧紧螺丝固定。

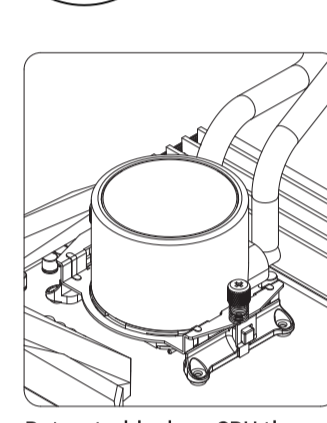
AMD Installation



AMD Bracket Mounting
Align the arrows on the bracket and the pump base, turn the bracket clockwise to secure it to the pump base.



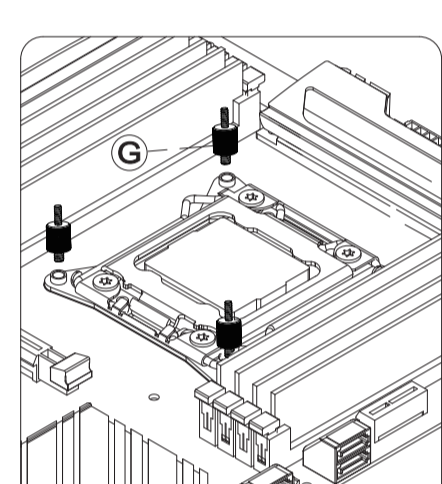
AMD/AM3 Installation
Clean the CPU surface, apply optimal amount of thermal compound on CPU



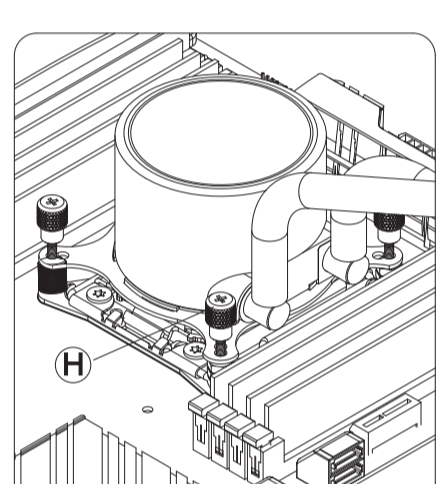
Put waterblock on CPU then tighten screw on both side to secure waterblock

www.thermalright.com

INTEL LGA20XX MOUNTING



Install four LGA20XX screws on socket holes on motherboard



Clean the CPU surface, apply optimal amount of thermal compound on CPU. Put waterblock on CPU then secure it with four nuts.

www.thermalright.com

www.thermalright.com

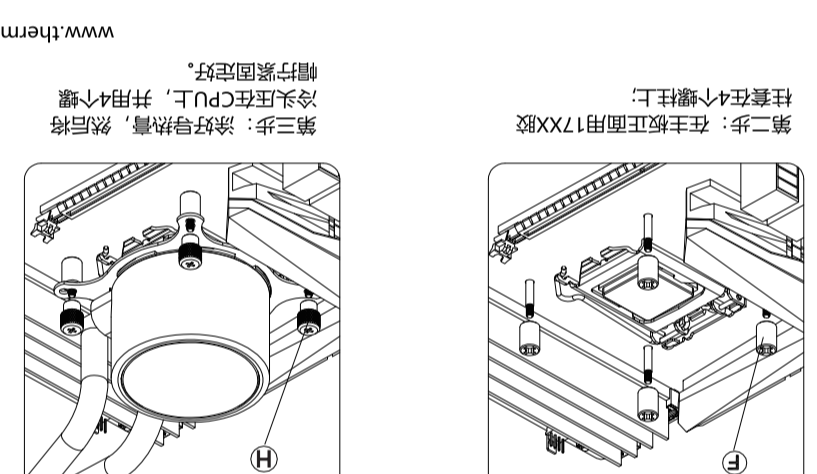


第一步：将20XX螺丝安装在主板CPU插槽周围的4个螺丝孔位上。

第二步：涂好导热膏，然后移冷头压在CPU上，并用4个螺母将冷头固定好。

Intel LGA20XX安装

www.thermalright.com



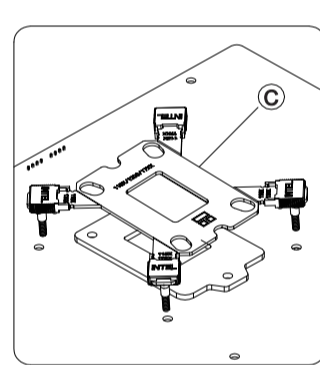
INTEL LGA17XX安装

第一步：先移除散热器，保持散热器与CPU插座对齐。

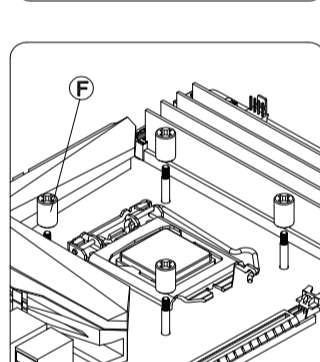
第二步：将散热器对准CPU插座，并用4个螺母固定。

第三步：涂好导热膏，然后移冷头压在CPU上，并用4个螺母将冷头固定好。

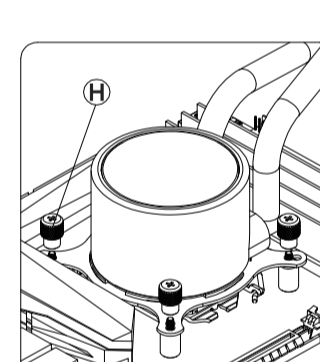
INTEL LGA17XX Installation



Step 1: REMOVE protective stickers on backplate, install backplate with four screws and spacers on back side of motherboard.



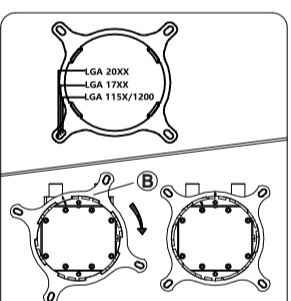
Step 2: Install four plastic standoffs through screws from front side of motherboard



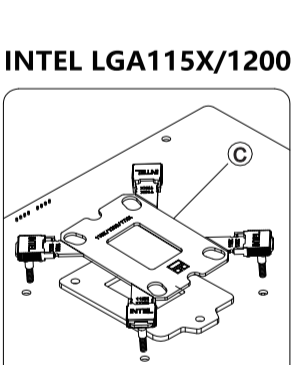
Step 3: Apply thermal paste, then secure water block on CPU with four nuts.

www.thermalright.com

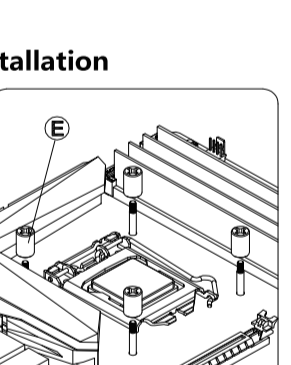
INTEL Installation



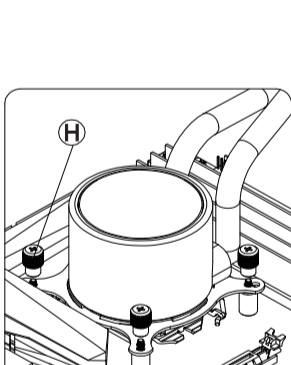
Install INTEL Water Block Bracket
Line Up arrows on water block and bracket, rotate bracket to lock bracket in place



Step 1: REMOVE protective stickers on backplate, install backplate with four screws and spacers on back side of motherboard.



Step 2: Install four plastic standoffs through screws from front side of motherboard



Step 3: Apply thermal paste, then secure water block on CPU with four nuts.

www.thermalright.com

www.thermalright.com



第一步：先移除散热器，保持散热器与CPU插座对齐。

第二步：将散热器对准CPU插座，并用4个螺母固定。

第三步：涂好导热膏，然后移冷头压在CPU上，并用4个螺母将冷头固定好。

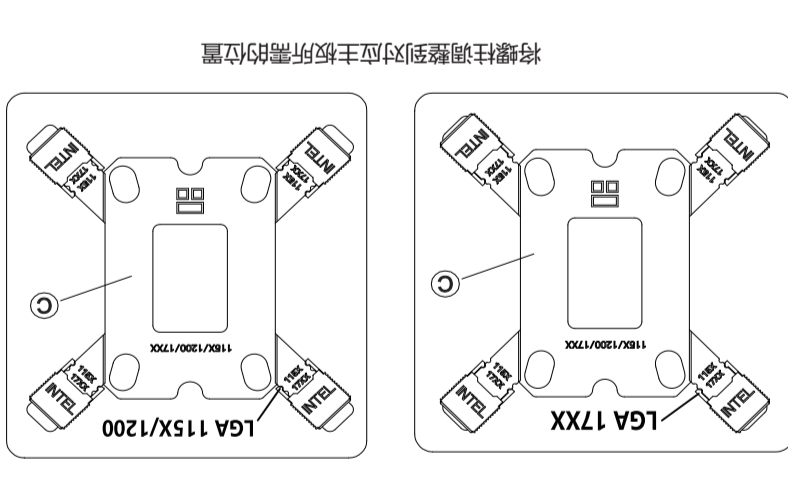
INTEL LGA115X/1200安装

INTEL 冷头支架的安装
（注意：冷头支架上箭头的位置）

INTEL 支架底座，安装在CPU上。

INTEL 安装

www.thermalright.com



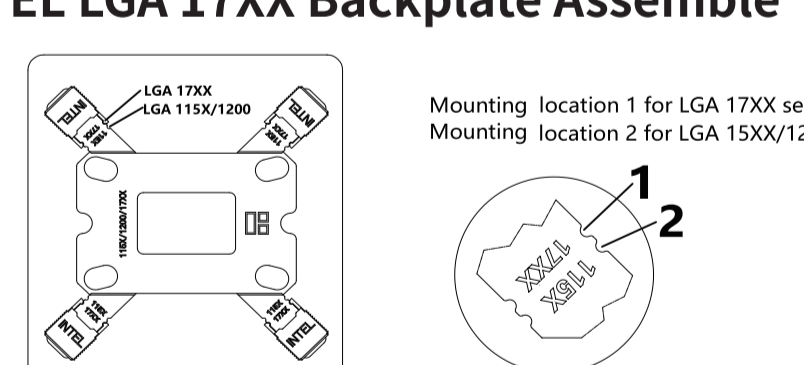
INTEL LGA 115X/17XX安装背板

安装位置与Intel LGA 115X/1200系列

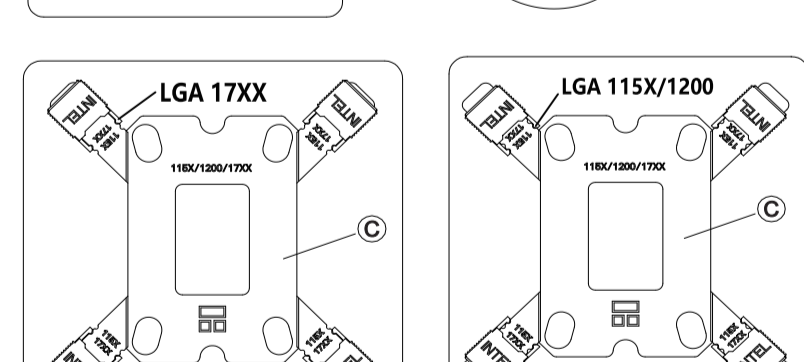
安装位置与Intel LGA 17XX系列

将螺丝对准到对应主板所有的孔位

INTEL LGA 17XX Backplate Assemble



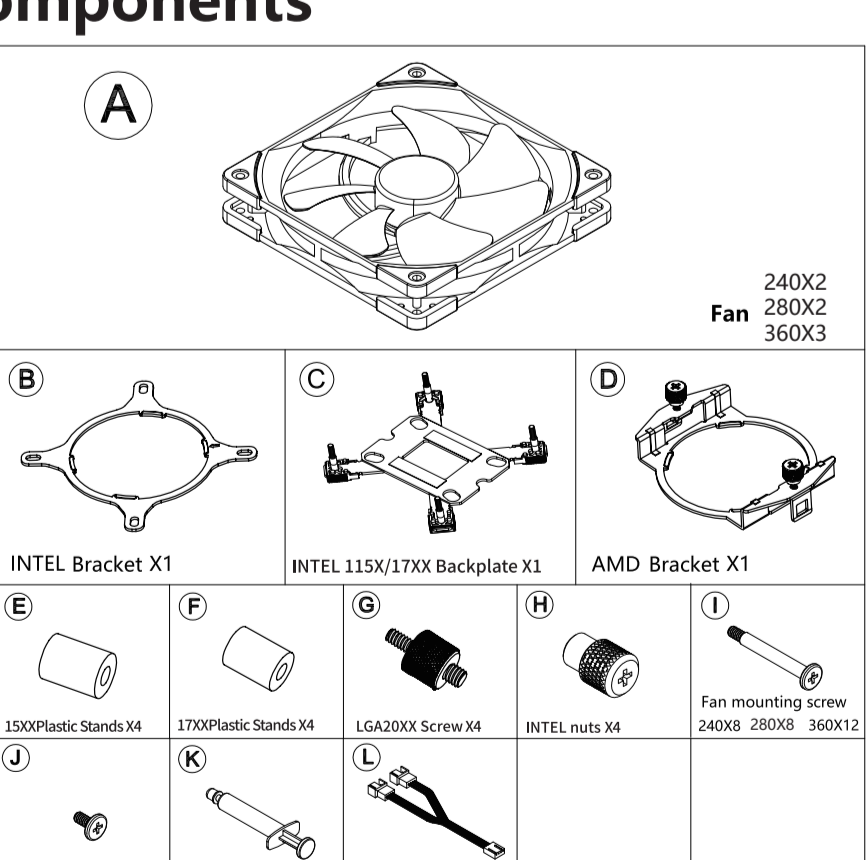
Mounting location 1 for LGA 17XX series
Mounting location 2 for LGA 15XX/1200 series



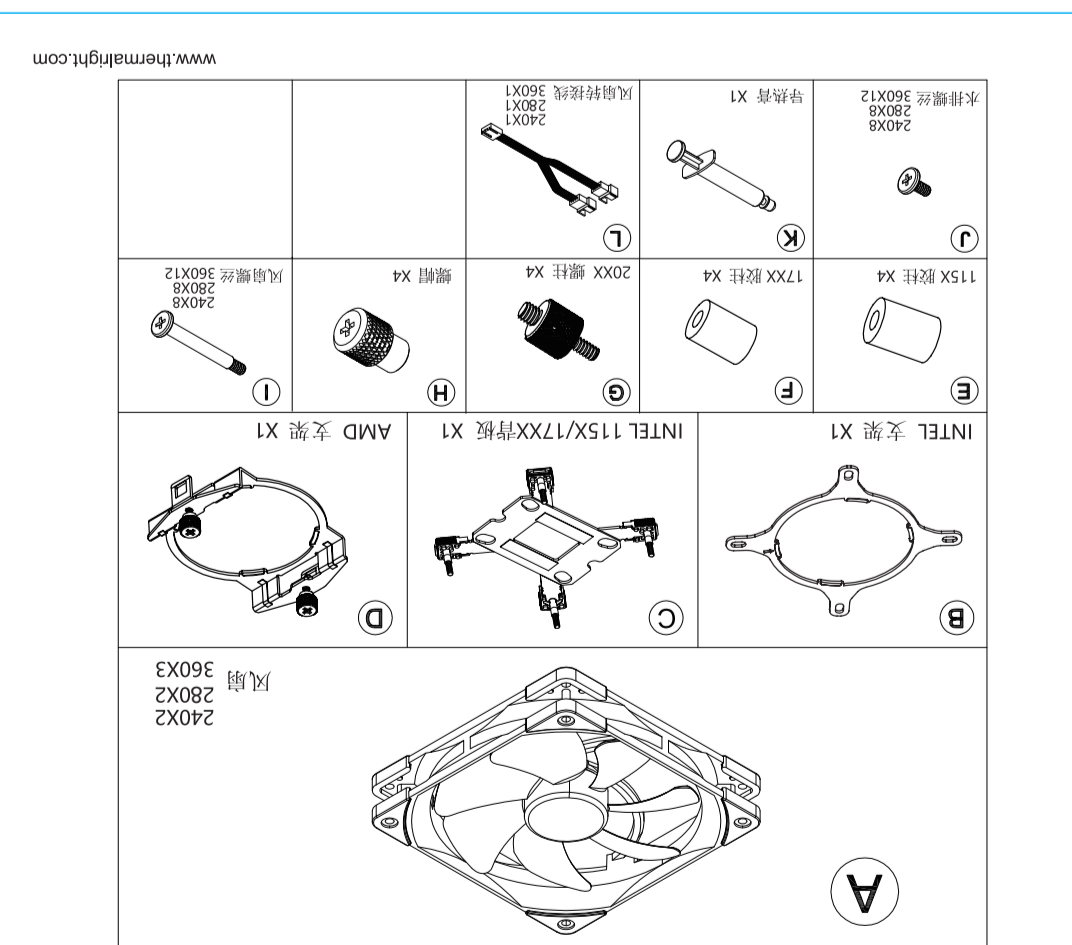
Adjust base board rod to corresponding motherboard required position

www.thermalright.com

Components



www.thermalright.com



附件清单