

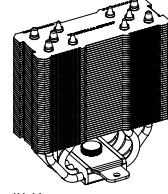
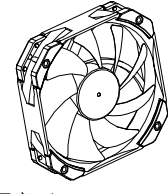
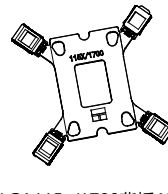

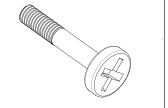



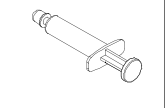
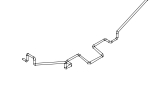


安装说明

Assassin King 120 MINI V2
系列

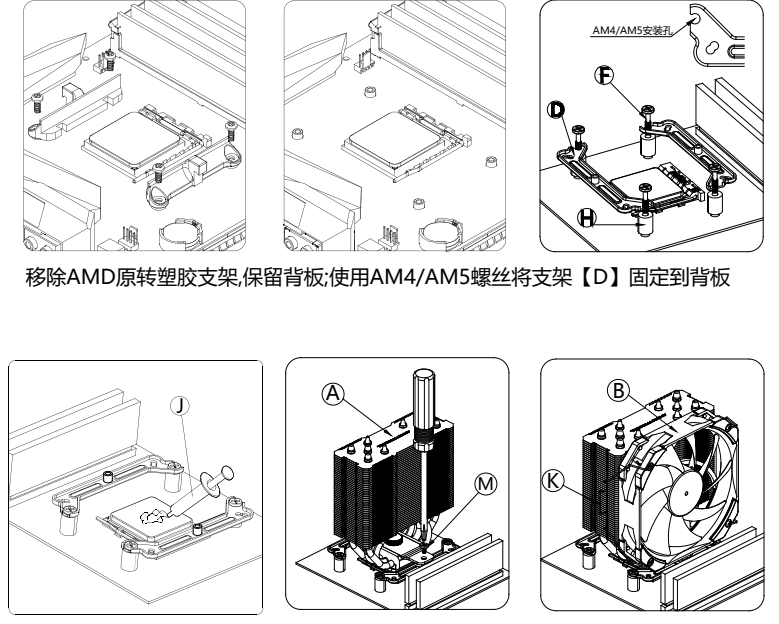
! 安装前请先去除铜底保护膜

www.thermalright.com

配件清单

 A 散热器 x1	 B 风扇 x1	 C LGA115x/1700背板 X1	
 D INTEL/AMD扣具 x2	 E Intel螺丝 x4	 F AM4/AM5 螺丝 x4	 G 黑色胶柱 x4 Intel专用
 H 红色胶柱 x4 AM4/AM5专用	 J 导热膏 x1	 K 风扇扣 x2	 L 蓝色胶柱 x4 1700专用
 M 螺丝 x2			

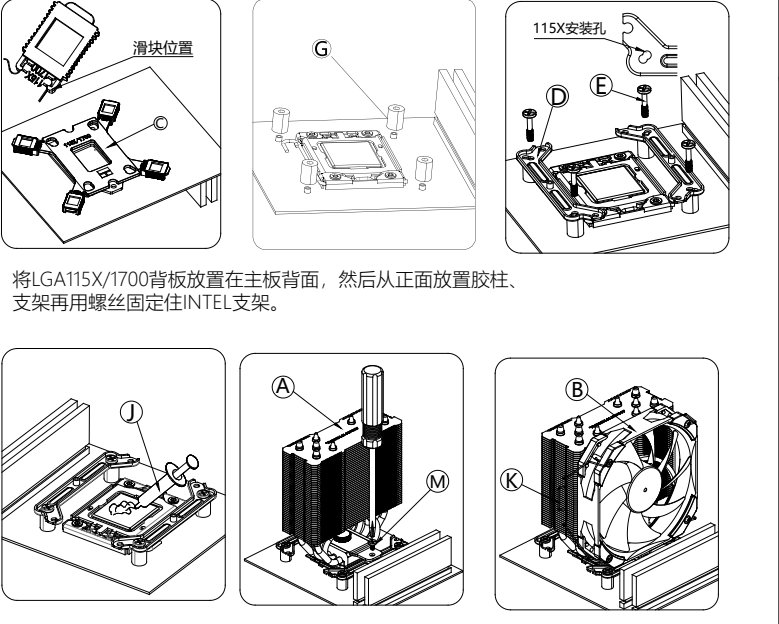
AMD AM4/AM5



移除AMD原转塑胶支架,保留背板,使用AM4/AM5螺丝将支架【D】固定到背板

涂好导热膏,然后先锁好散热器,再固定风扇

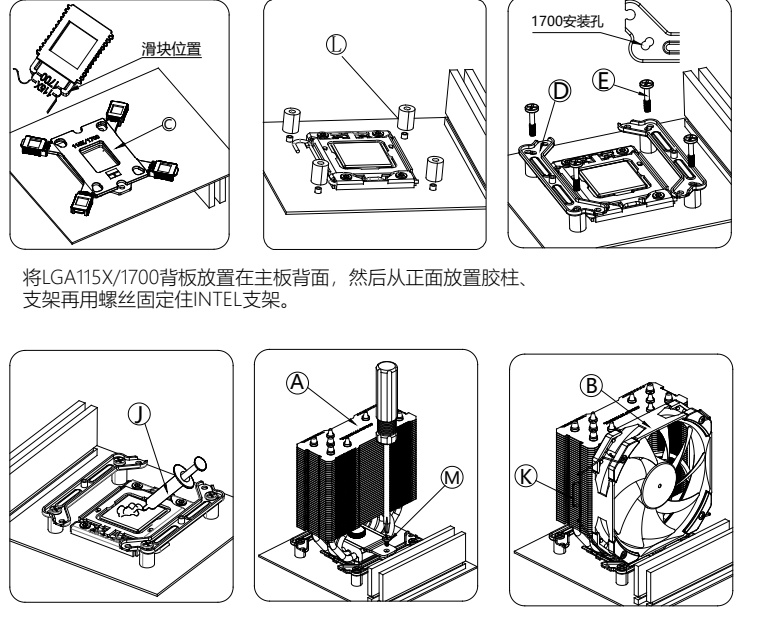
INTEL LGA115X/1200



将LGA115X/1700背板放置在主板背面,然后从正面放置胶柱,支架再用螺丝固定住INTEL支架。

涂好导热膏,然后先锁好散热器,再固定风扇

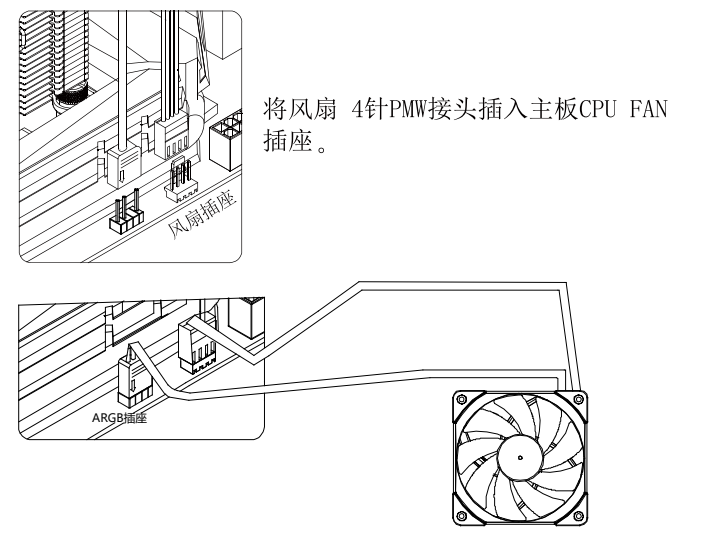
INTEL LGA1700



将LGA115X/1700背板放置在主板背面,然后从正面放置胶柱,支架再用螺丝固定住INTEL支架。


涂好导热膏,然后先锁好散热器,再固定风扇

风扇接线



将风扇 4针PWM接头插入主板CPU_FAN插座。

如果风扇有ARGB灯效,请将ARGB 3针(5V)插入主板对应ARGB灯效插座或者控制器。



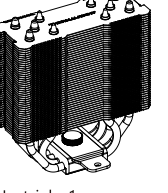
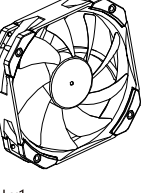
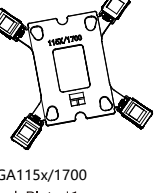
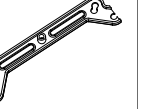
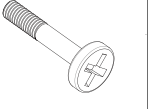
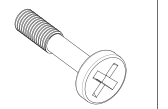
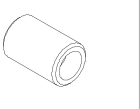

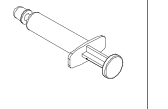

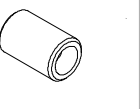
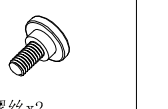
INSTALLATION GUIDE

Assassin King 120 MINI V2
Series

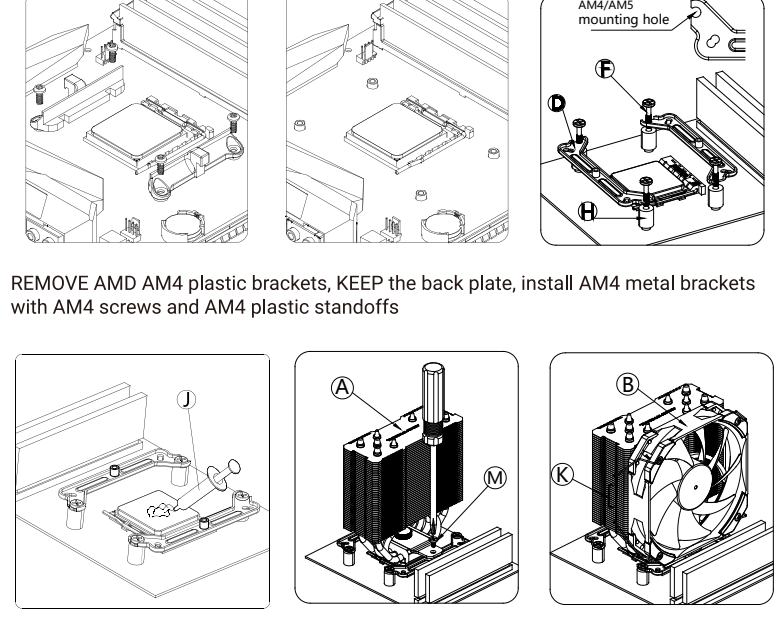
Please remove protective sticker before install

www.thermalright.com

parts list

 A Heatsink x1	 B FAN x1	 C LGA115x/1700 Back Plate *1	
 D INTEL/AMD Bracket x2	 E Intel Screw x4	 F AM4/AM5 Screw x4	 G 115X / 1200 Standoff x4
 H AM4/AM5 Standoff x4	 J Thermal Grease x1	 K FAN CLIP x2	 L 1700 Standoff x4
 M 螺丝 x2			

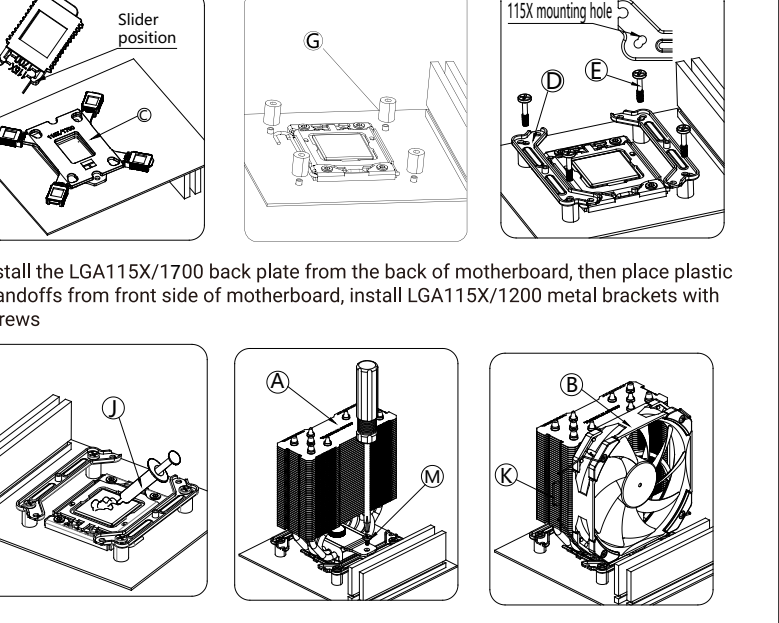
AMD AM4/AM5



REMOVE AMD AM4 plastic brackets, KEEP the back plate, install AM4 metal brackets with AM4 screws and AM4 plastic standoffs

Apply thermal grease on CPU, install the heatsink with a screw driver, and install fans on heatsink with fan clips

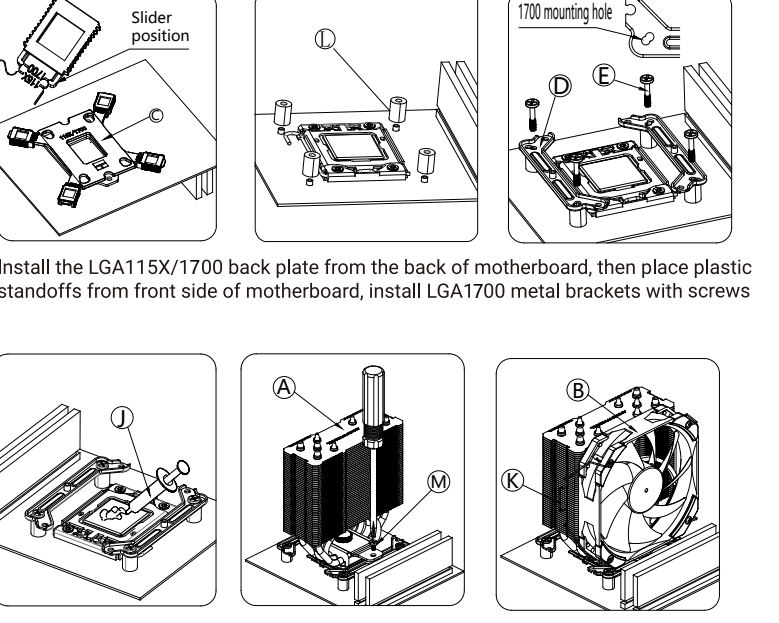
INTEL LGA115X/1200



Install the LGA115X/1700 back plate from the back of motherboard, then place plastic standoffs from front side of motherboard, install LGA115X/1200 metal brackets with screws

Apply thermal grease on CPU, install the heatsink with a screw driver, and install fans on heatsink with fan clips

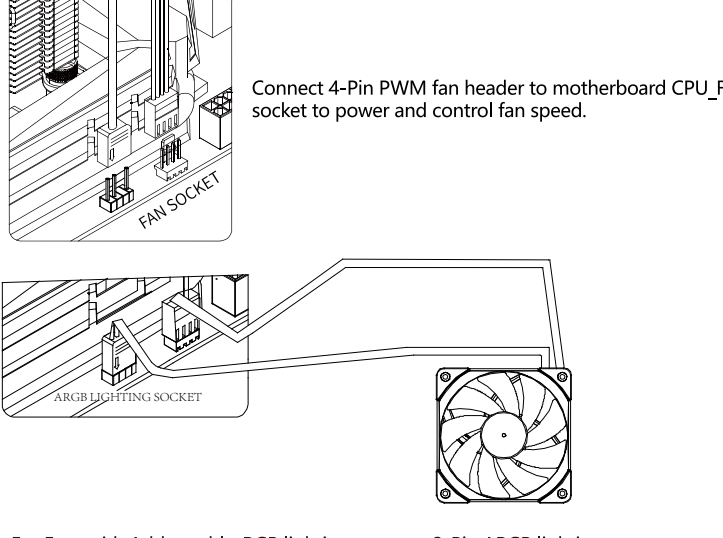
INTEL LGA1700



Install the LGA115X/1700 back plate from the back of motherboard, then place plastic standoffs from front side of motherboard, install LGA1700 metal brackets with screws

Apply thermal grease on CPU, install the heatsink with a screw driver, and install fans on heatsink with fan clips

Fan Wiring



Connect 4-Pin PWM fan header to motherboard CPU_FAN socket to power and control fan speed.

For Fans with Addressable-RGB lighting, connect 3-Pin ARGB lighting header to motherboard 3-Pin +5V ARGB lighting socket to control lighting effect.