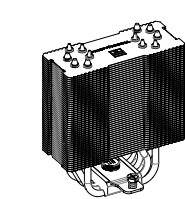
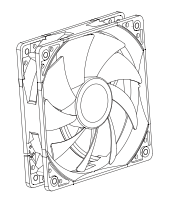
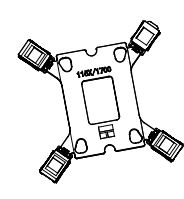
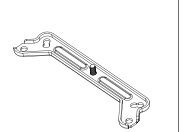
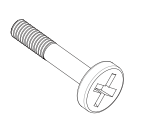
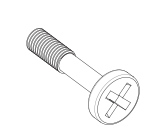


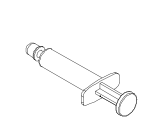
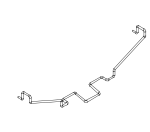
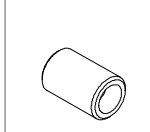


安装说明
Burst Assassin 120 SE
系列

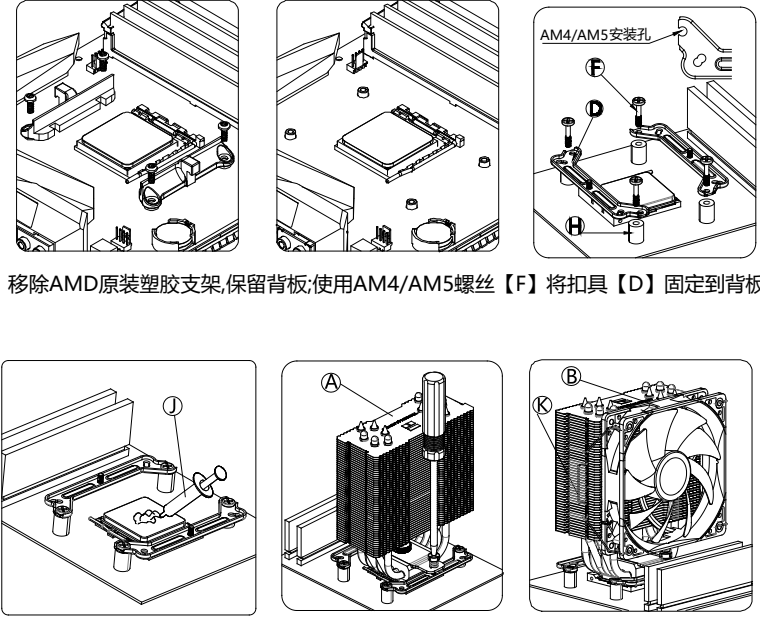
! 安装前请先去除铝底保护膜

www.thermalright.com

配件清单

 A 散热器 x1	 B 风扇 x1	 C LGA115X/1700背板 X1	
 D INTEL/AM4扣具 x2	 E Intel 螺丝 x4	 F AM4/AM5螺丝 x4	 G 黑色胶柱 x4 Intel专用
 H 红色胶柱 x4 AM4/AM5专用	 J 导热膏 x1	 K 风扇扣x2	 M 蓝色胶柱x4 1700专用

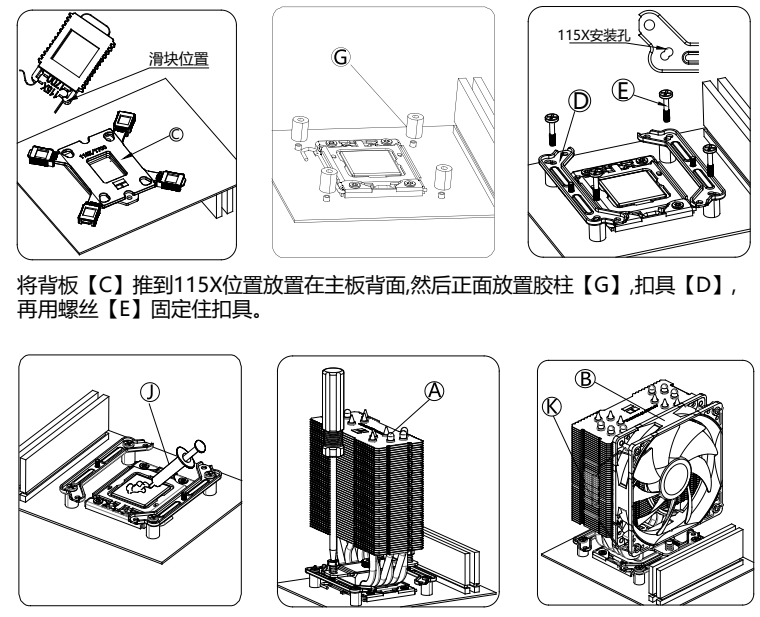
AMD AM4/AM5



移除AMD原装塑胶支架,保留背板,使用AM4/AM5螺丝【F】将扣具【D】固定到背板

涂好导热膏,然后先锁好散热器,再固定风扇

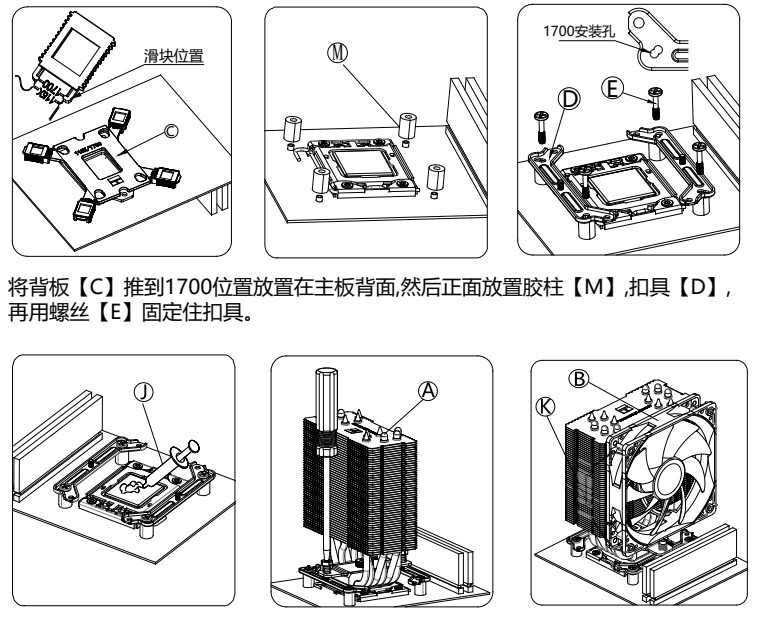
INTEL LGA115X/1200



将背板【C】推到115X位置放置在主板背面,然后正面放置胶柱【G】,扣具【D】,再用螺丝【E】固定住扣具。

涂好导热膏,然后先锁好散热器,再固定风扇

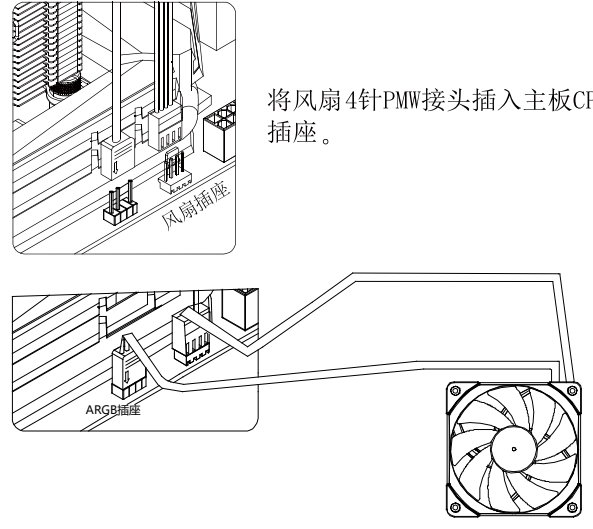
INTEL LGA1700/1851



将背板【C】推到1700位置放置在主板背面,然后正面放置胶柱【M】,扣具【D】,再用螺丝【E】固定住扣具。


涂好导热膏,然后先锁好散热器,再固定风扇

风扇接线



将风扇4针PWM接头插入主板CPU_FAN插座。

如果风扇有ARGB灯效, 请将ARGB 3针 (5V) 插入主板对应ARGB灯效插座或者控制器。

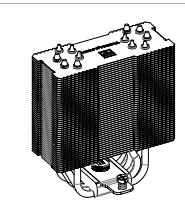
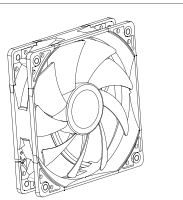
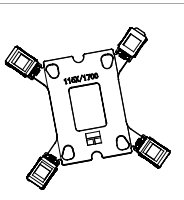
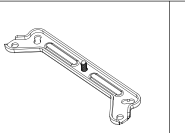
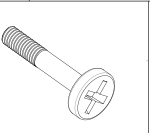


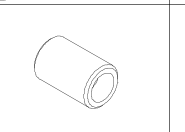
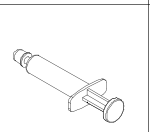
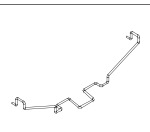
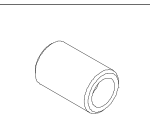


INSTALLATION GUIDE
Burst Assassin 120 SE
Series

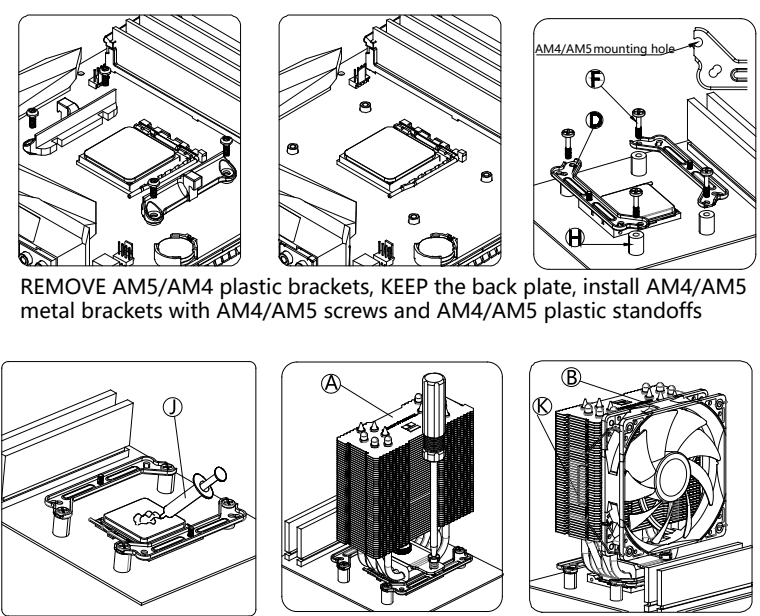
Please remove protective sticker before install

www.thermalright.com

parts list

 A Heatsink x1	 B FAN x1	 C LGA115X/1700 Backplate x1	
 D INTEL/AM4 Bracket x2	 E INTEL Screw x4	 F AM4/AM5 Screw x4	 G LGA115X/1200 Standoff x4
 H AM4/AM5 Standoff x4	 J Thermal Paste x1	 K Fan Clip x2	 M LGA1700 Standoff x4

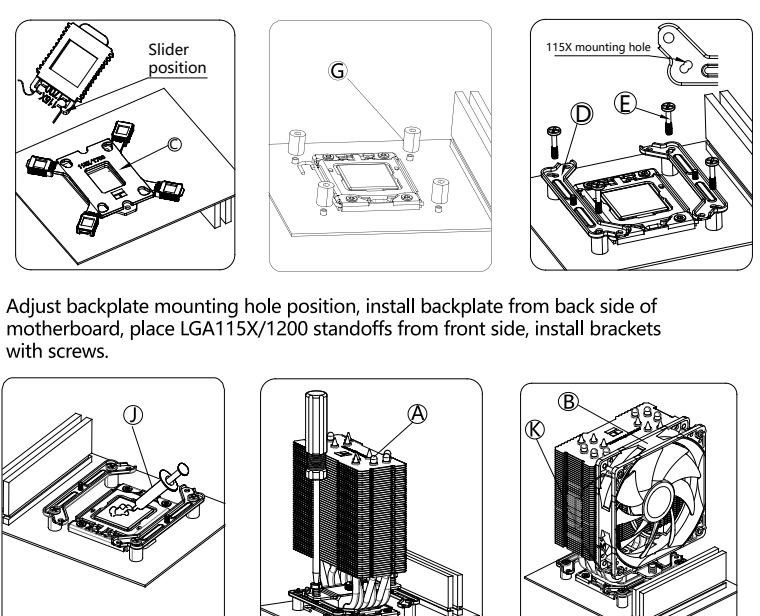
AMD AM4/AM5



REMOVE AM5/AM4 plastic brackets, KEEP the back plate, install AM4/AM5 metal brackets with AM4/AM5 screws and AM4/AM5 plastic standoffs

Apply thermal grease on CPU, install the heatsink with a screw driver, and install fans on heatsink with fan clips

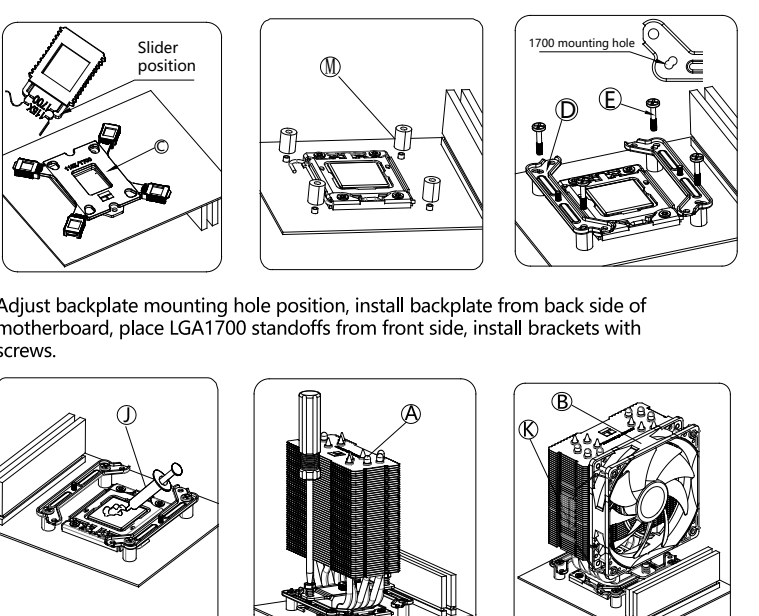
INTEL LGA115X/1200



Adjust backplate mounting hole position, install backplate from back side of motherboard, place LGA115X/1200 standoffs from front side, install brackets with screws.

Apply thermal grease on CPU, install the heatsink with a screw driver, and install fans on heatsink with fan clips

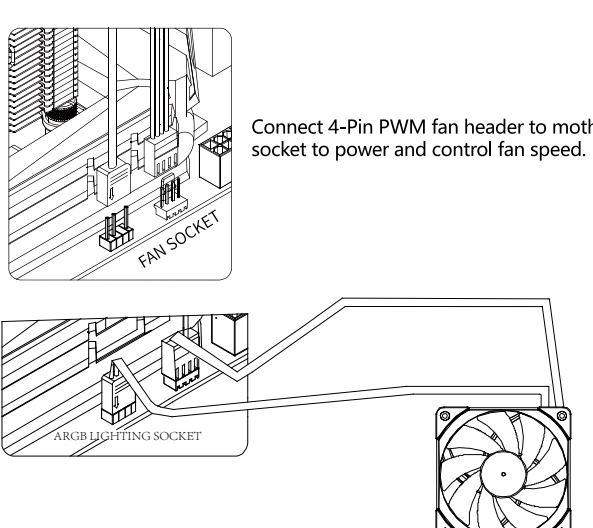
INTEL LGA1700/1851



Adjust backplate mounting hole position, install backplate from back side of motherboard, place LGA1700 standoffs from front side, install brackets with screws.

Apply thermal grease on CPU, install the heatsink with a screw driver, and install fans on heatsink with fan clips

Fan Wiring



Connect 4-Pin PWM fan header to motherboard CPU_FAN socket to power and control fan speed.

For Fans with Addressable-RGB lighting, connect 3-Pin ARGB lighting header to motherboard 3-Pin +5V ARGB lighting socket to control lighting effect.