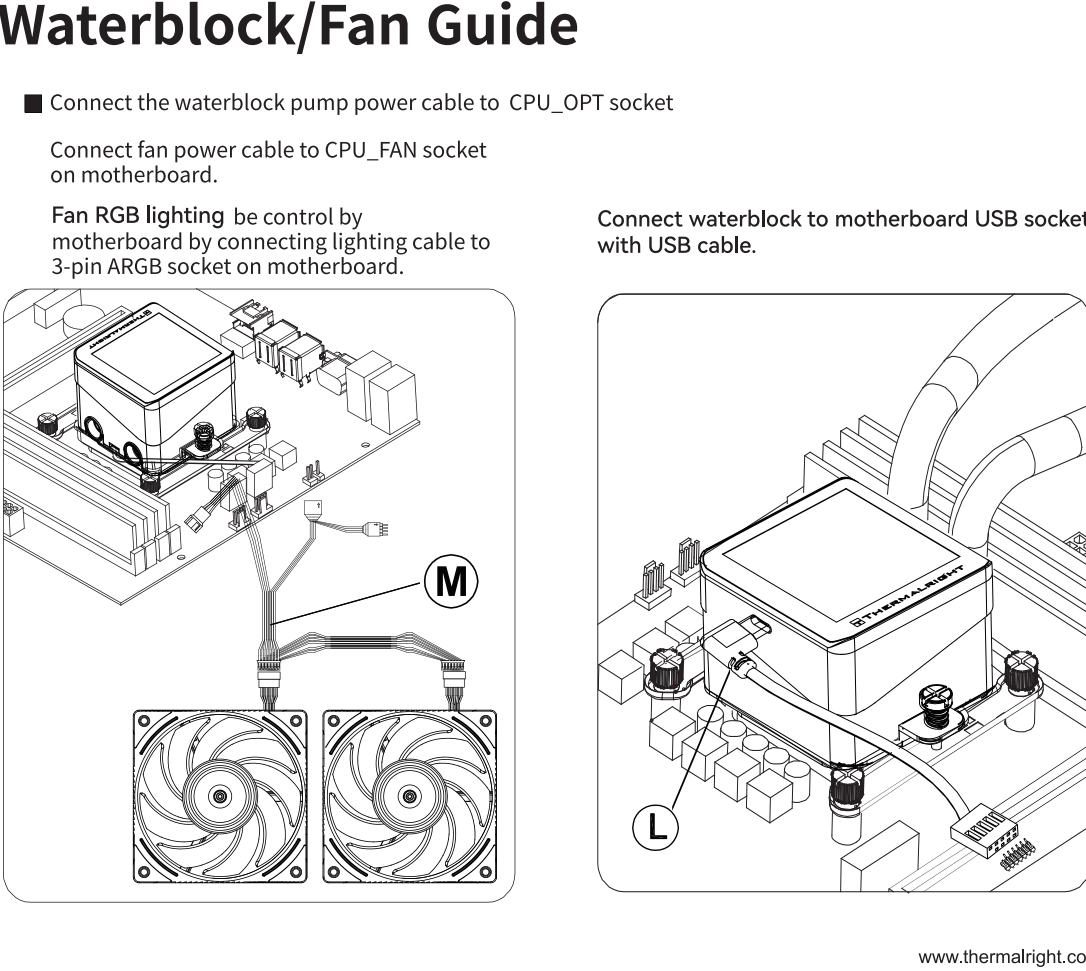
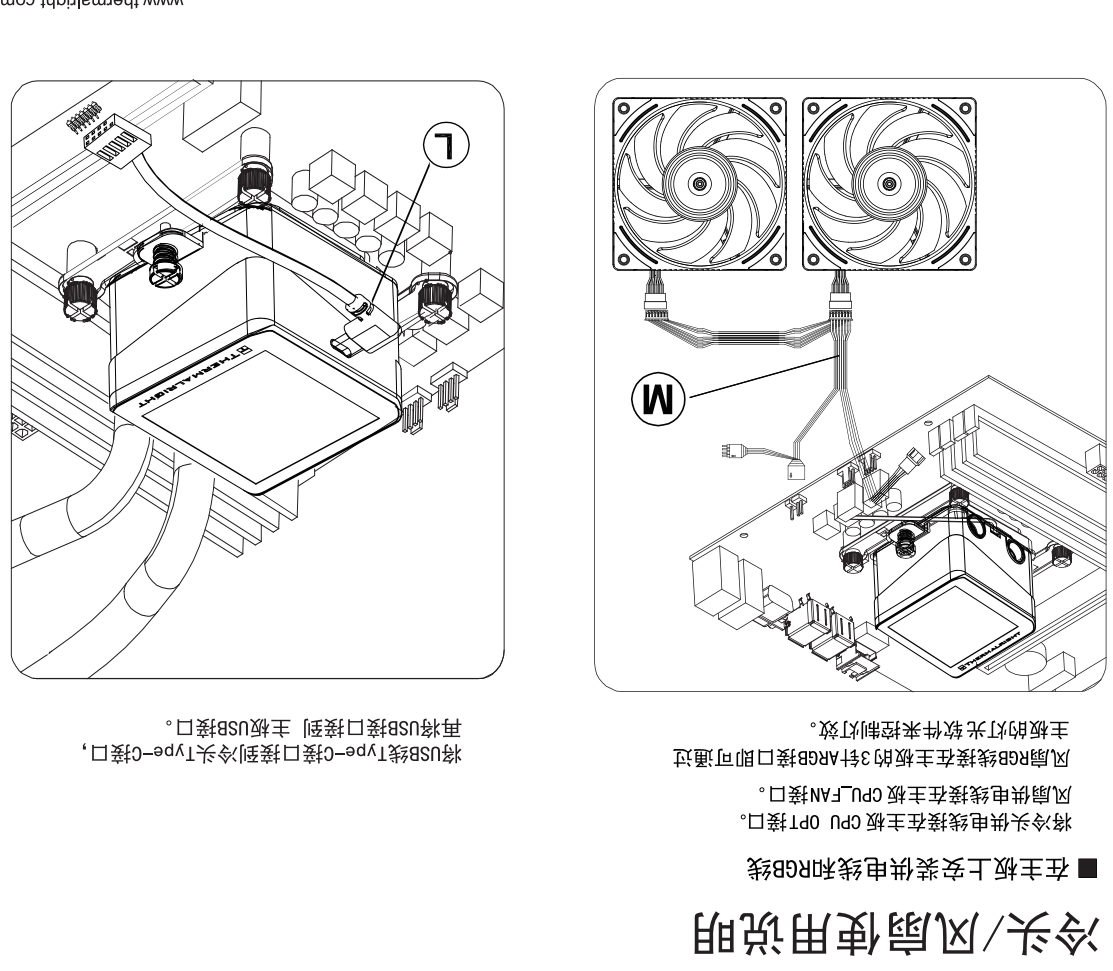


FROZEN VISION Display user guide

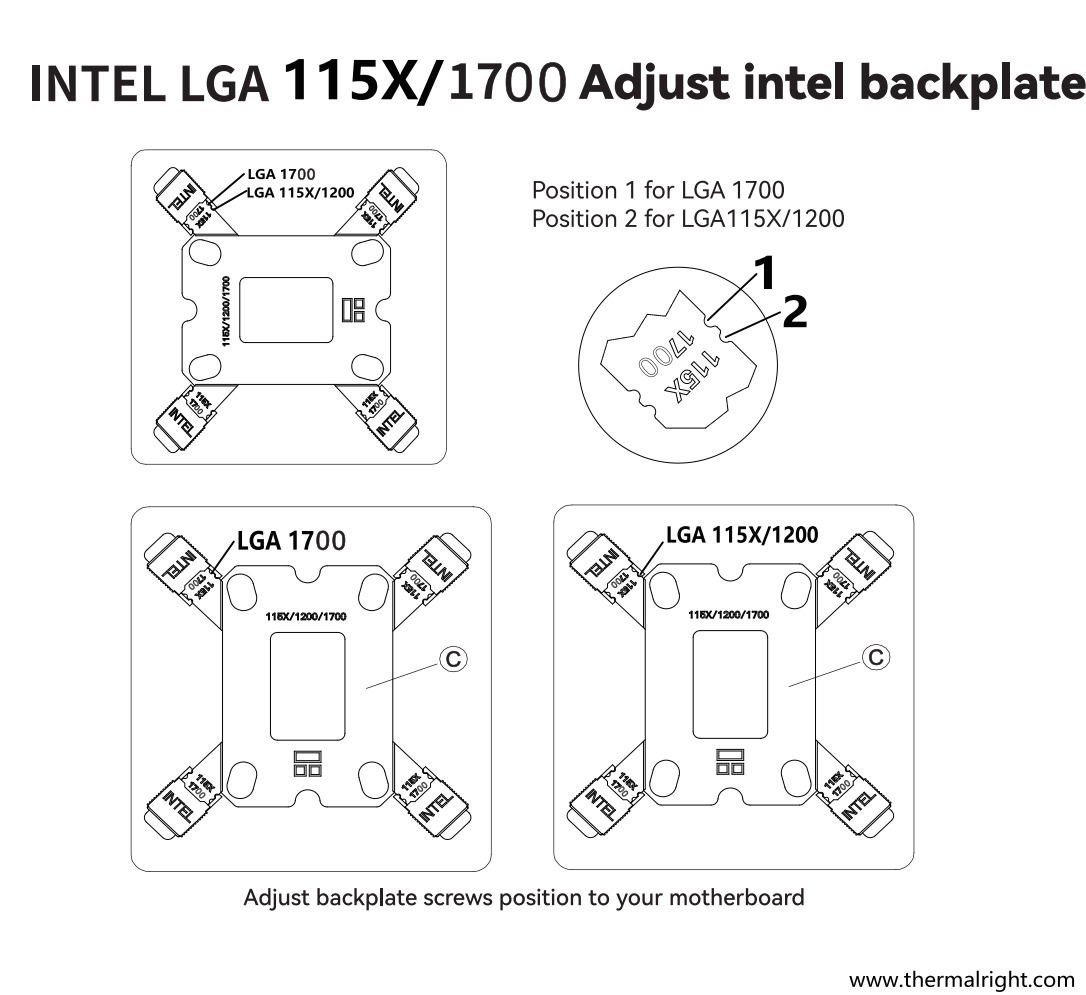
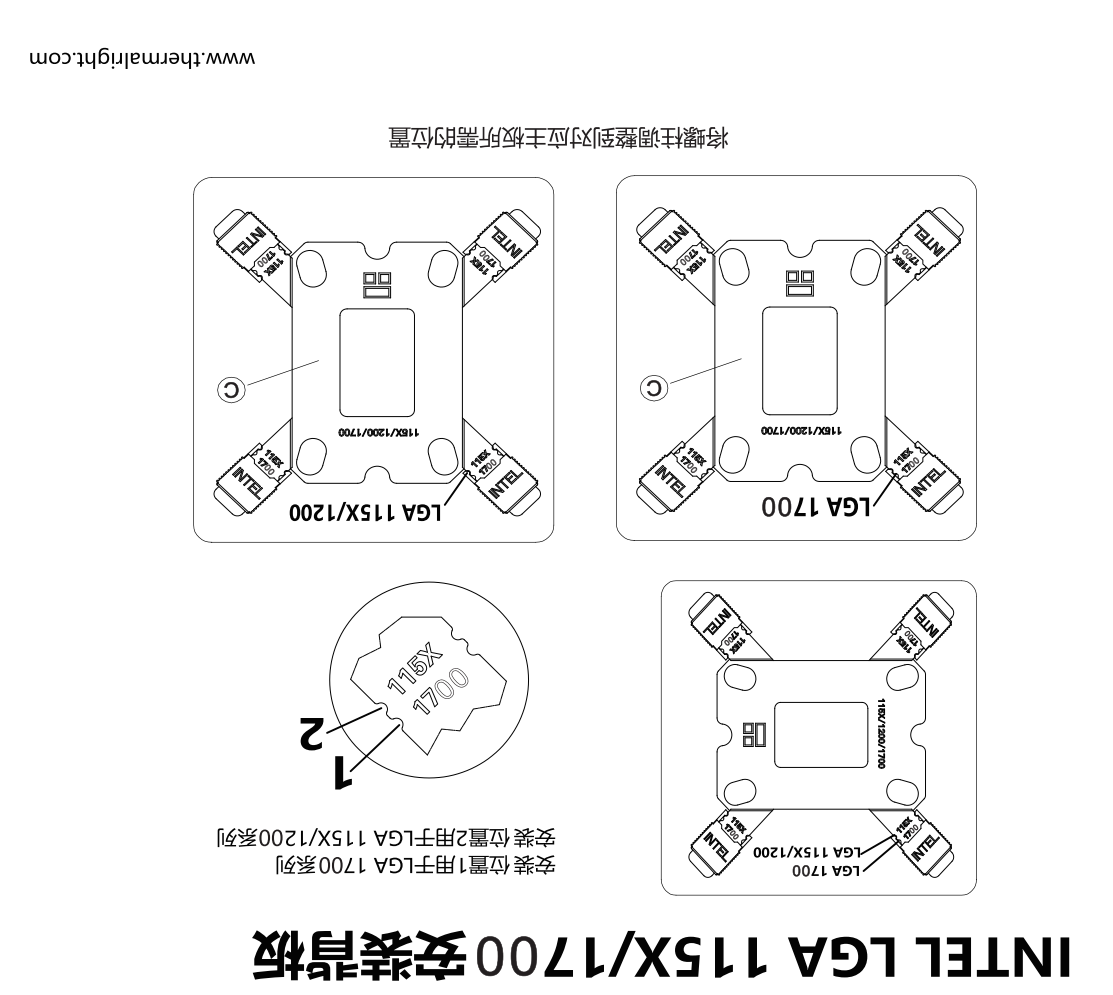
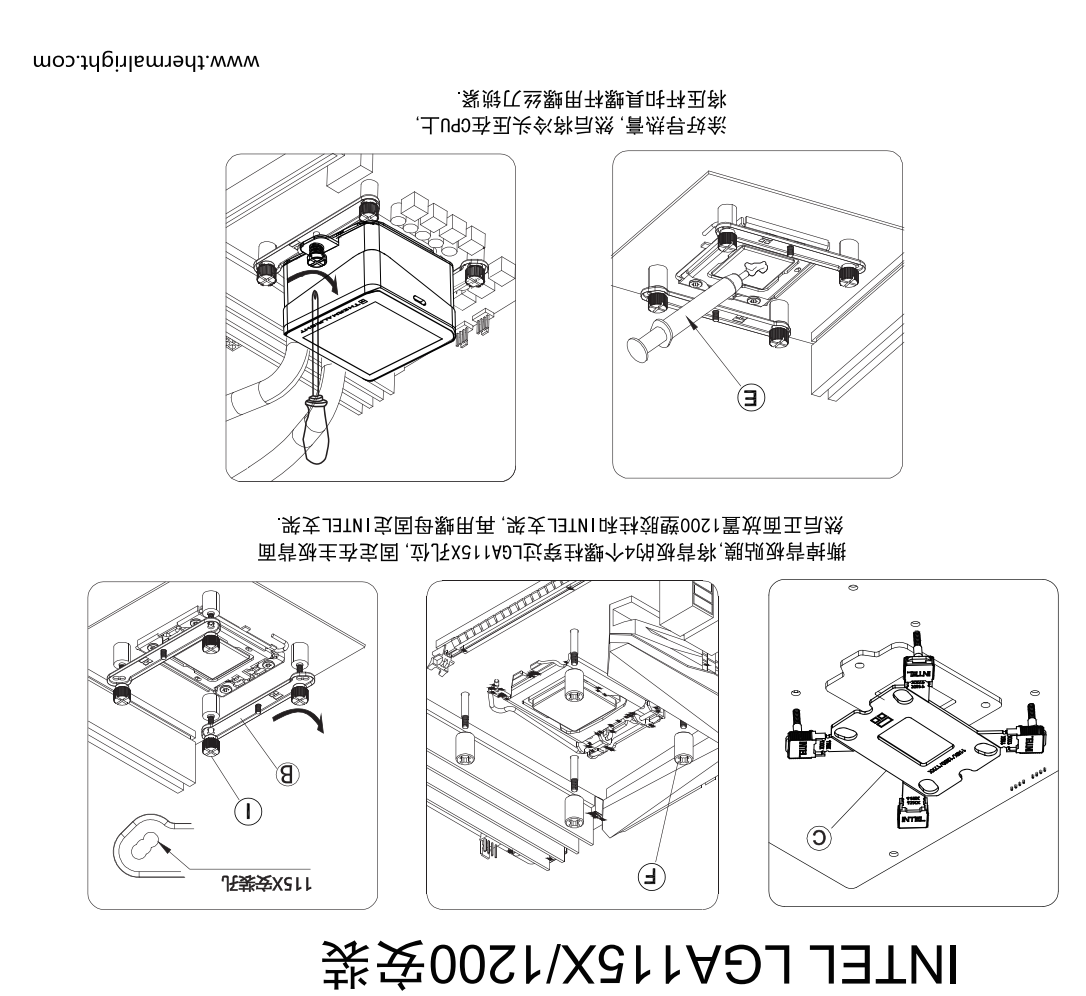
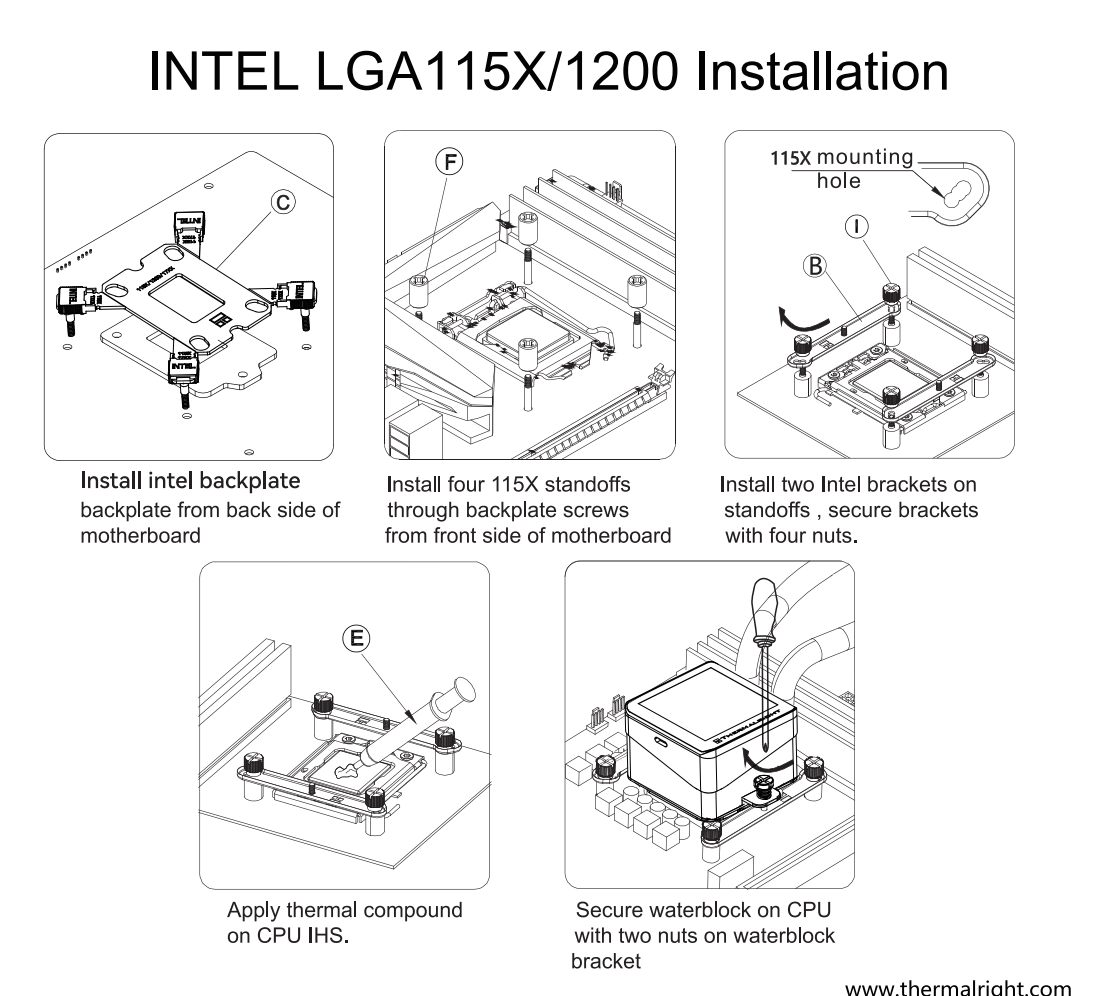
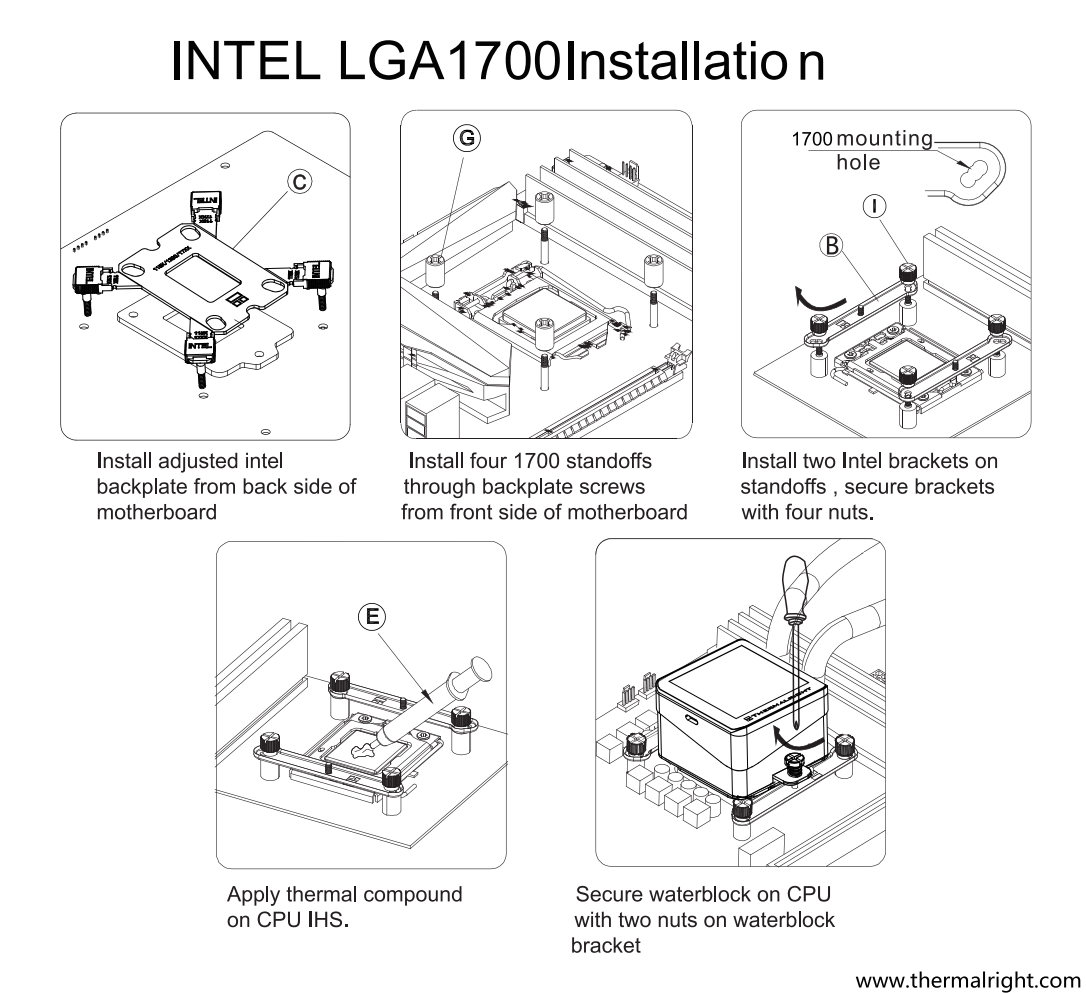
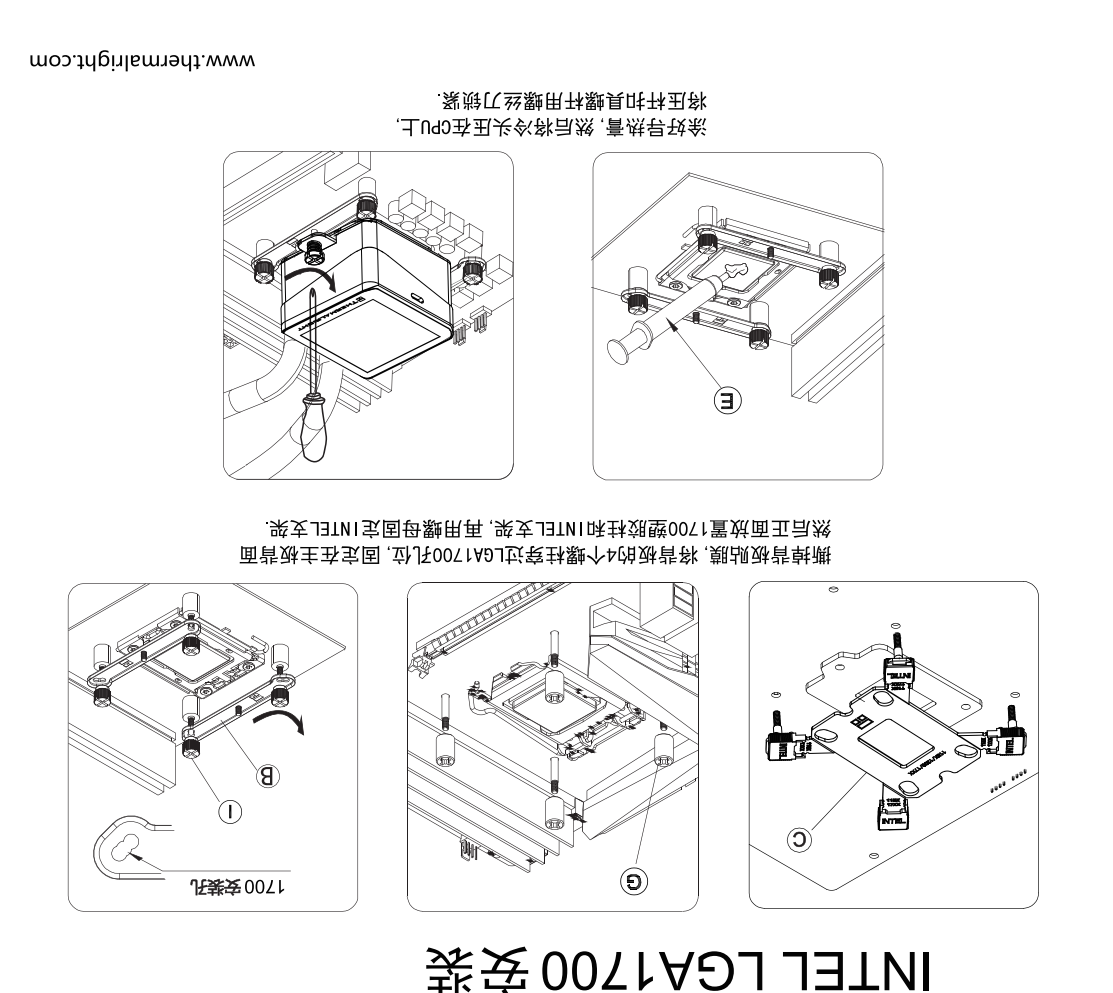
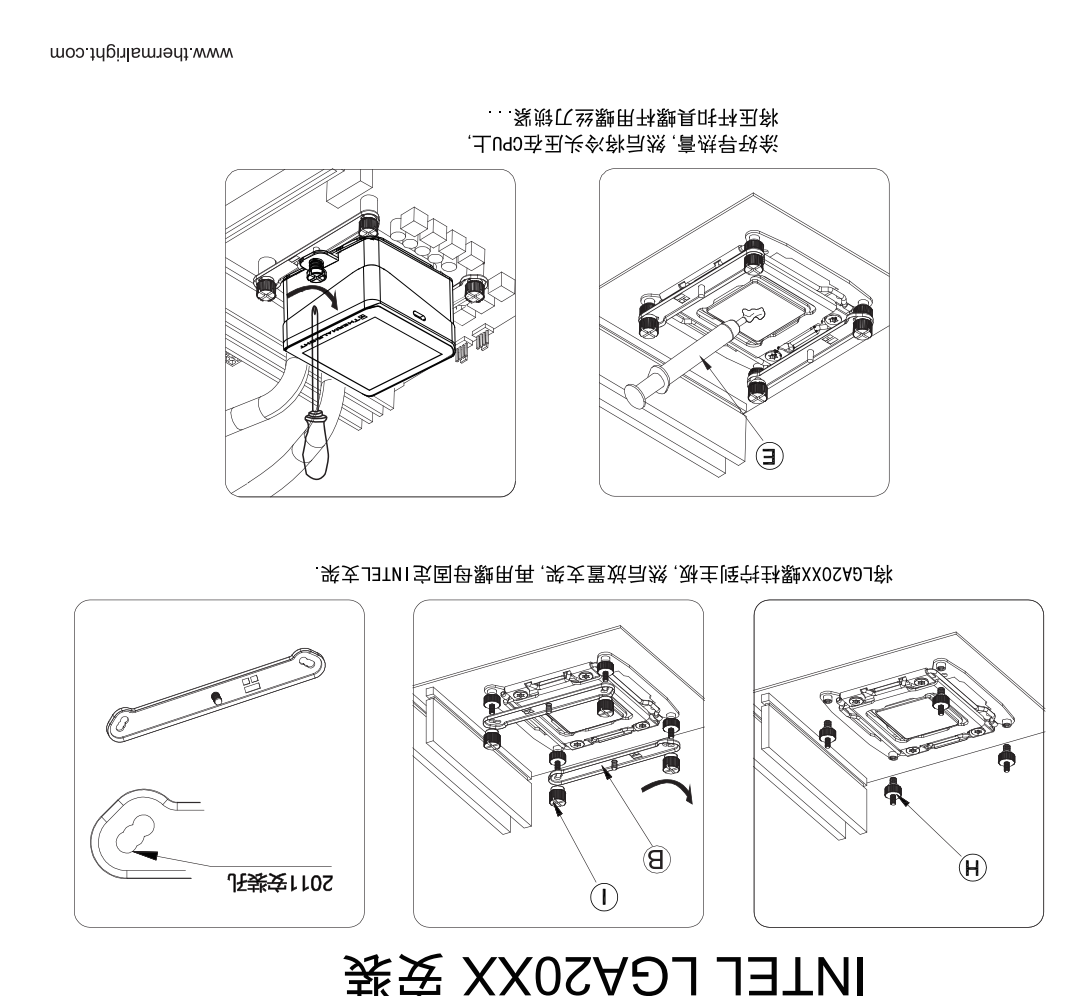
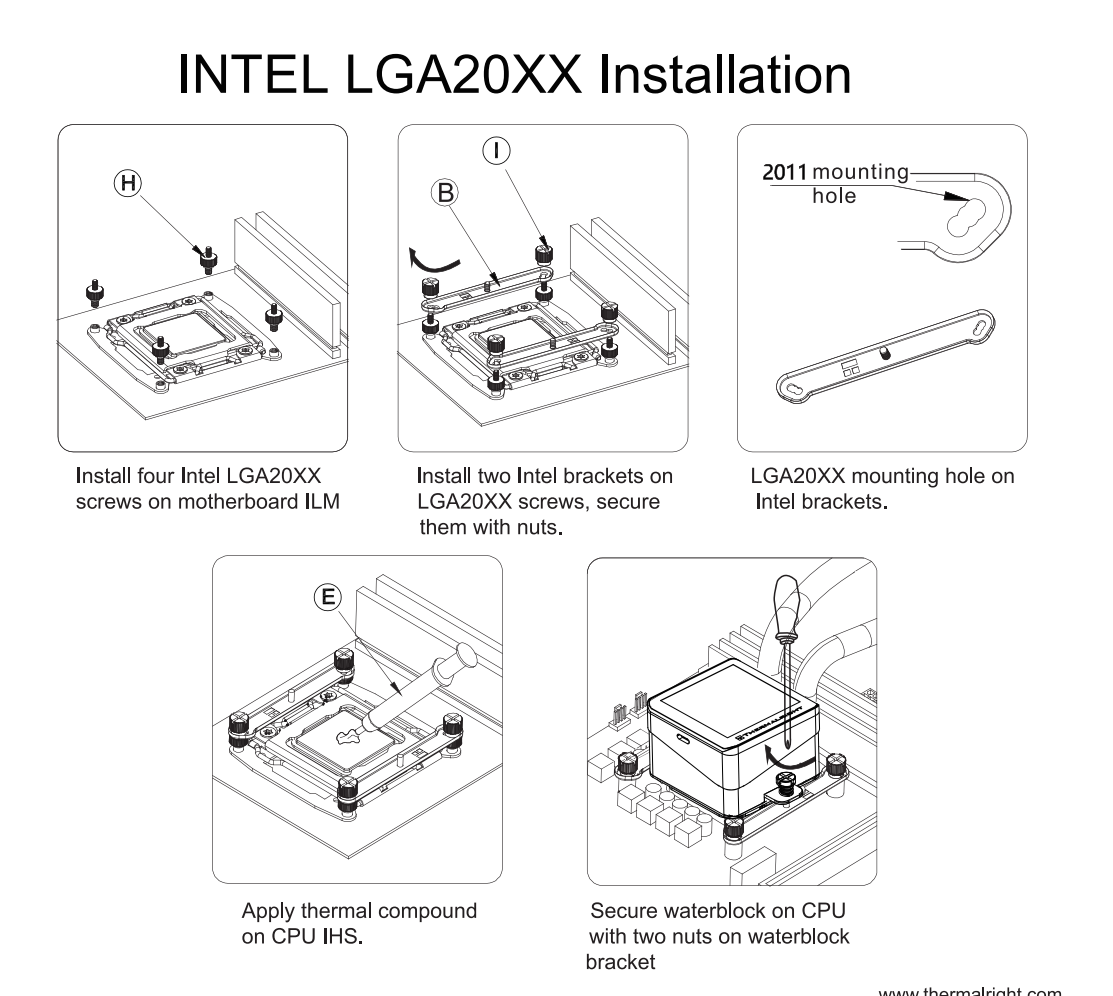
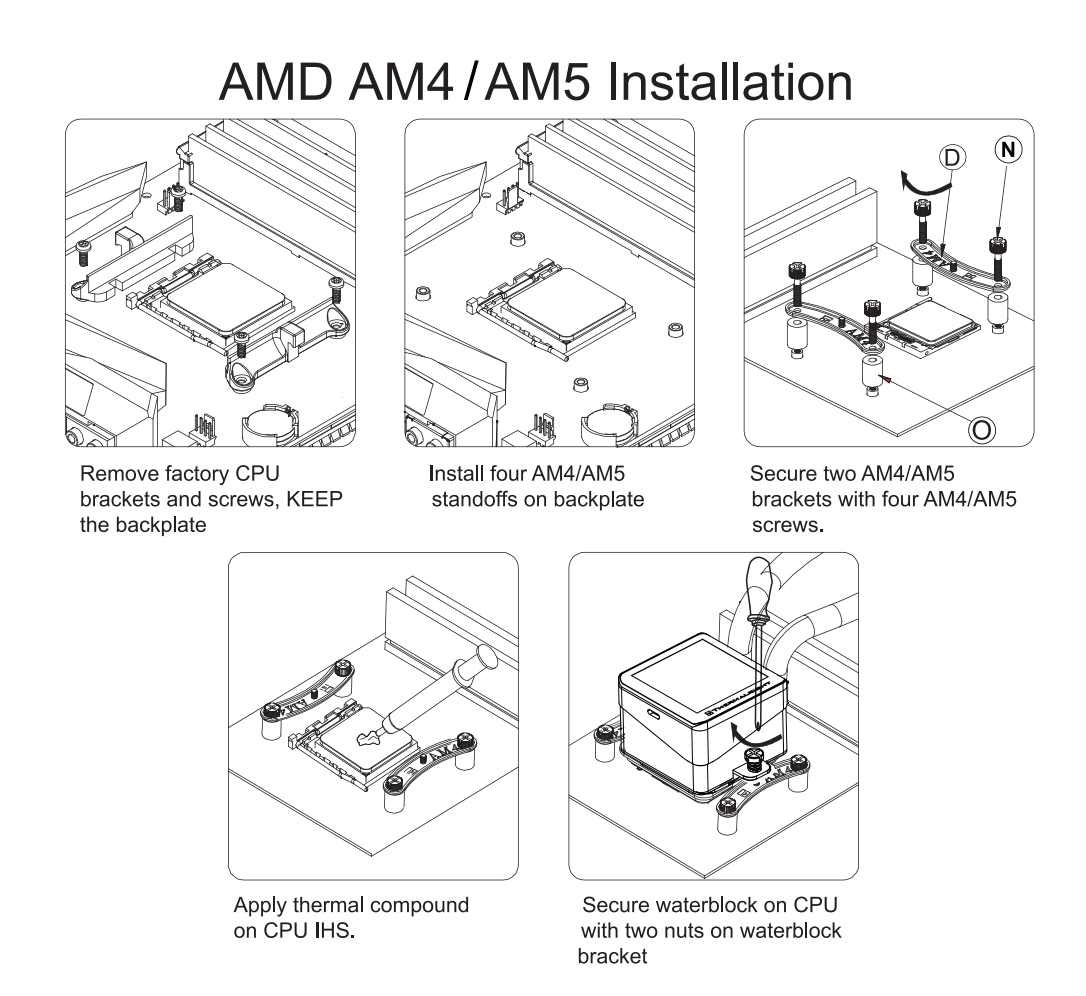
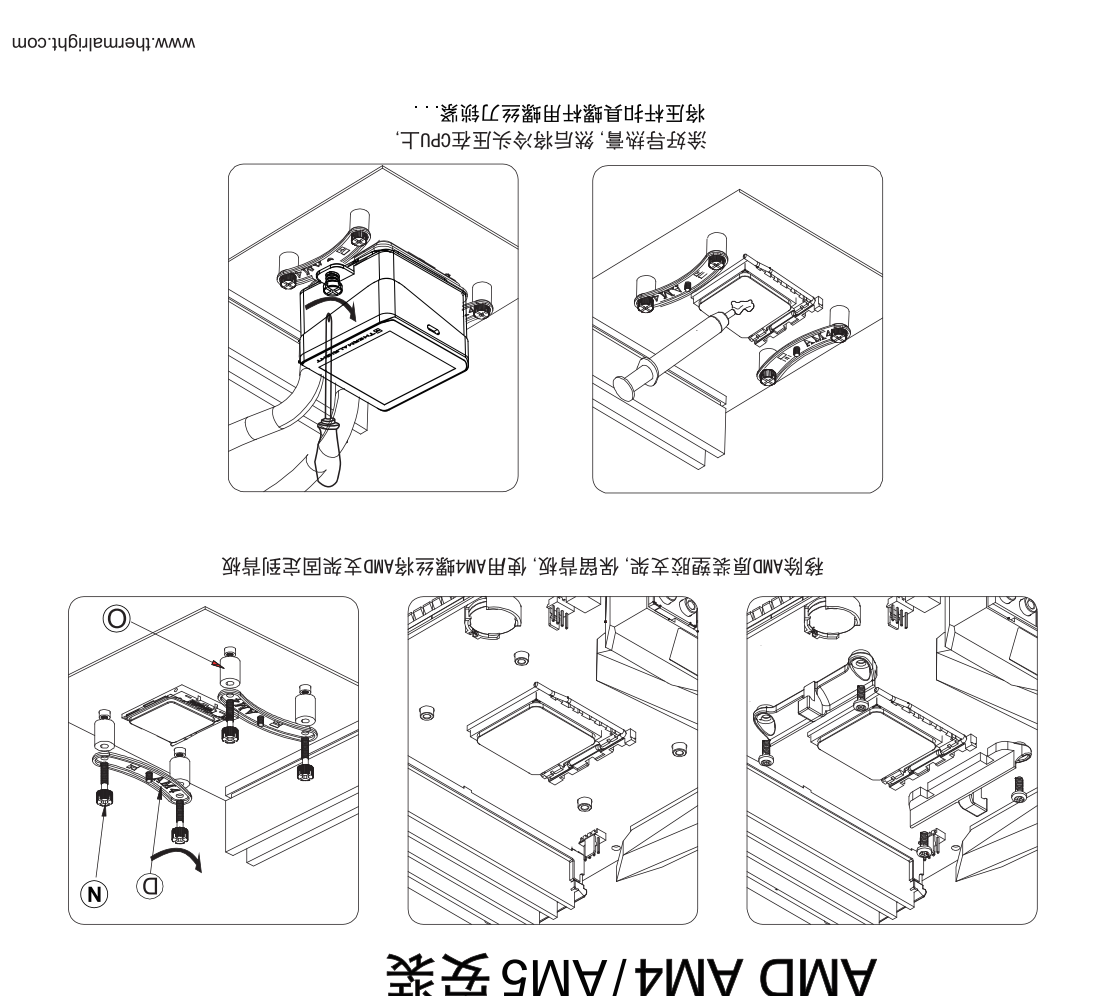
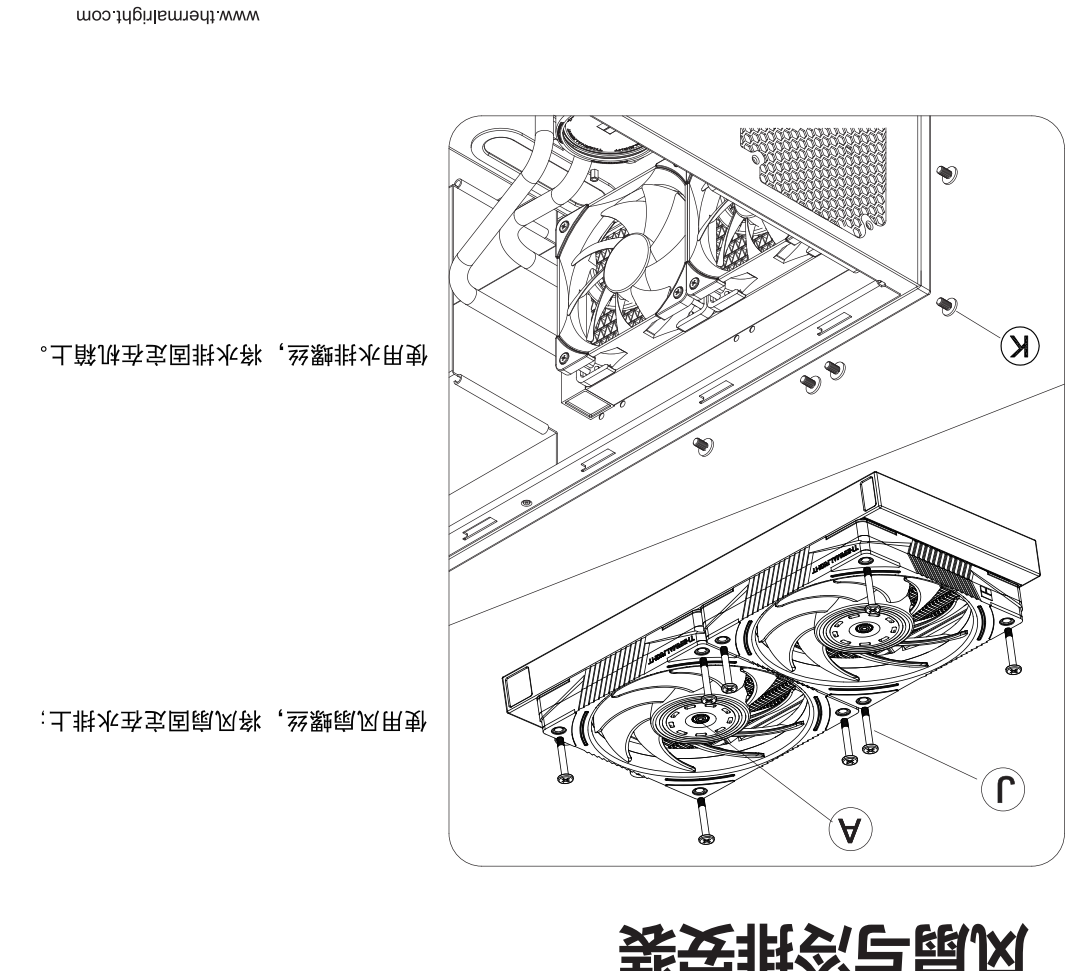
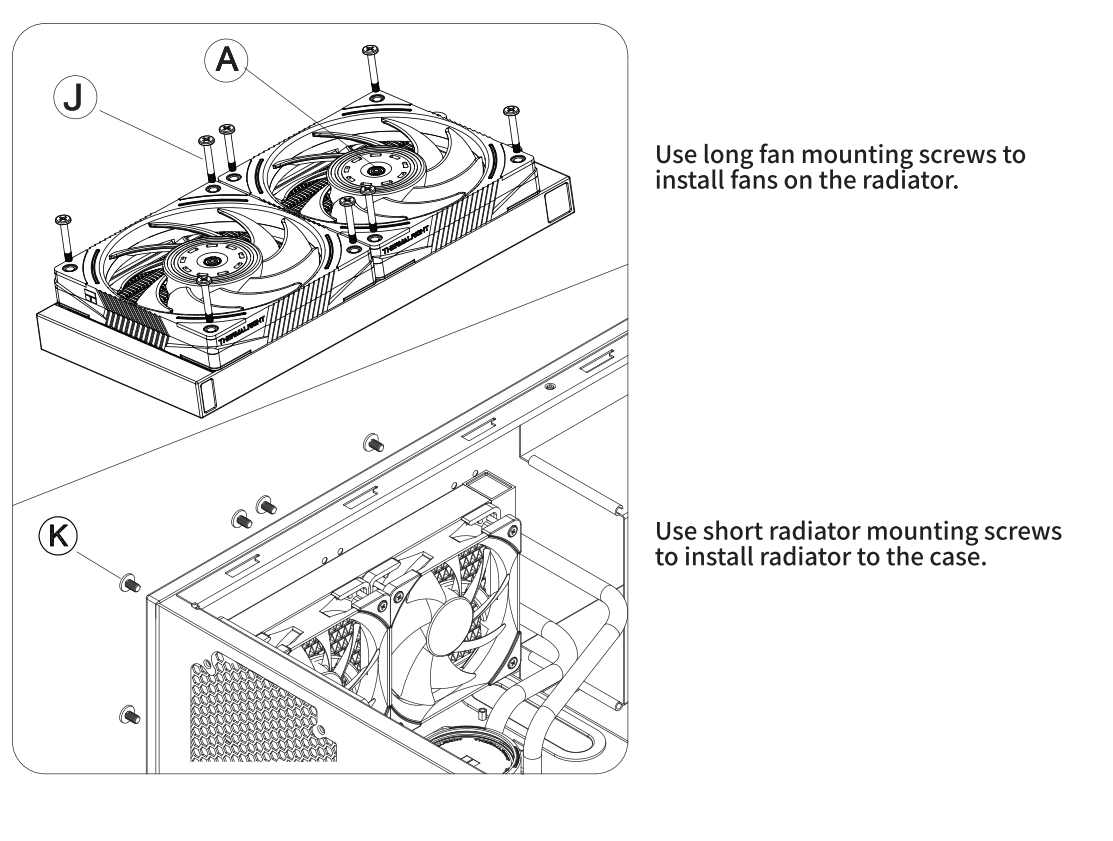
1. Check 9 pin USB cable connection between waterblock and motherboard before installing.
2. Download software at: <http://thermalright.com/support/download/>
Install software by double-click SETUP.EXE
3. Double click "TR-VISION HOME" icon on desktop to run software.
4. All functions on waterblock display is control by software, please do not exit the program.
5. For unknown error, restart the display by re-plug USB cable on waterblock.

1. 液晶屏的供电和数据通信均由主板 9 针 USB 接口提供。软件安装前请确认连接完整。
2. 软件可在官网下载：<http://thermalright.com/support/download/> 双击 SETUP.EXE 安装
3. 桌面双击 "TR-VISION HOME" 的图标即可运行软件
4. 本液晶屏的实时数据监控/数据传输/开关关闭等功能均由软件控制。安装完成后默认电源开机启动，并在启动正常后会自动关闭/强制退出。
5. 如遇到未知不可控情况，可拔掉冷头上 Type-C 接口进行硬件重启。

FROZEN VISION 系列水冷屏显控制软件说明



Fan&Radiator Mounting



Components

