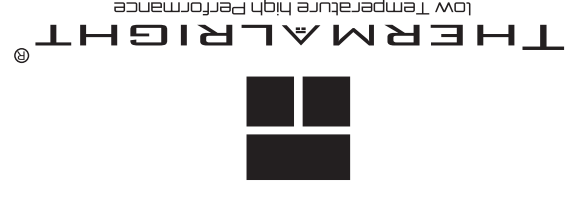




www.thermalright.com



www.thermalright.com

- FROZEN WARFRAME DISPLAY USER GUIDE**
- 1 Connect 9 pin USB cable connection between waterblock and motherboard before installing.
 - 2 Download software at: <http://thermalright.com/support/download/install-software-by-double-click-SETUP.EXE>
 - 3 Double click "TRCC" icon on desktop to run software
 - 4 All functions on waterblock display is control by software, please do not exit the program.
 - 5 For unknown error, restart the display by re-plug USB cable on waterblock.

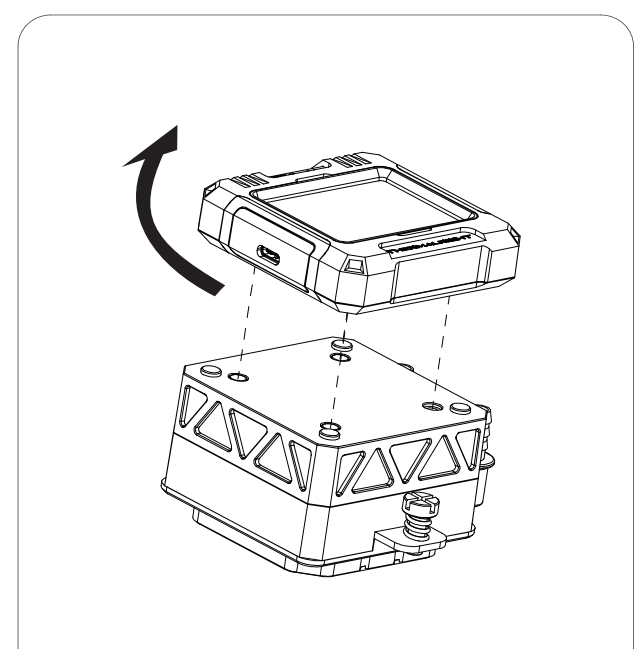


FROZEN WARFRAME 系列水冷屏控制软件说明

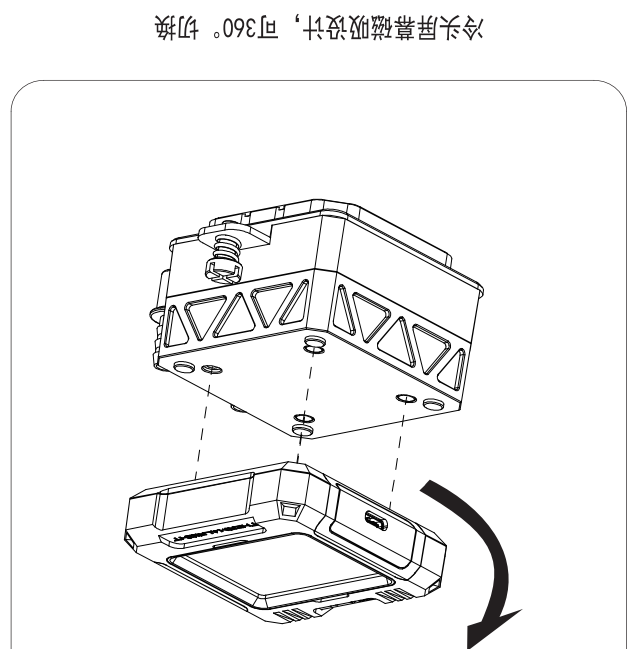
- 1.液晶屏的供电和数据通信传输均由主板9针USB接口提供。软件安装前请确认接线完整
- 2.软件可在官网下载：<http://thermalright.com/support/download/> 软件双击SETUP.EXE安装
- 3.桌面双击“TRCC”的图标即可运行软件
- 4.本液晶屏的实时数据监控/数据传输/开启关闭等功能均由软件控制。安装完成默认随电脑开机启动，并在任务栏常驻后台，请勿关闭/强制退出。
- 5.如遇到未知不可控情况，可拔插冷头上Type-C接口进行硬件重启



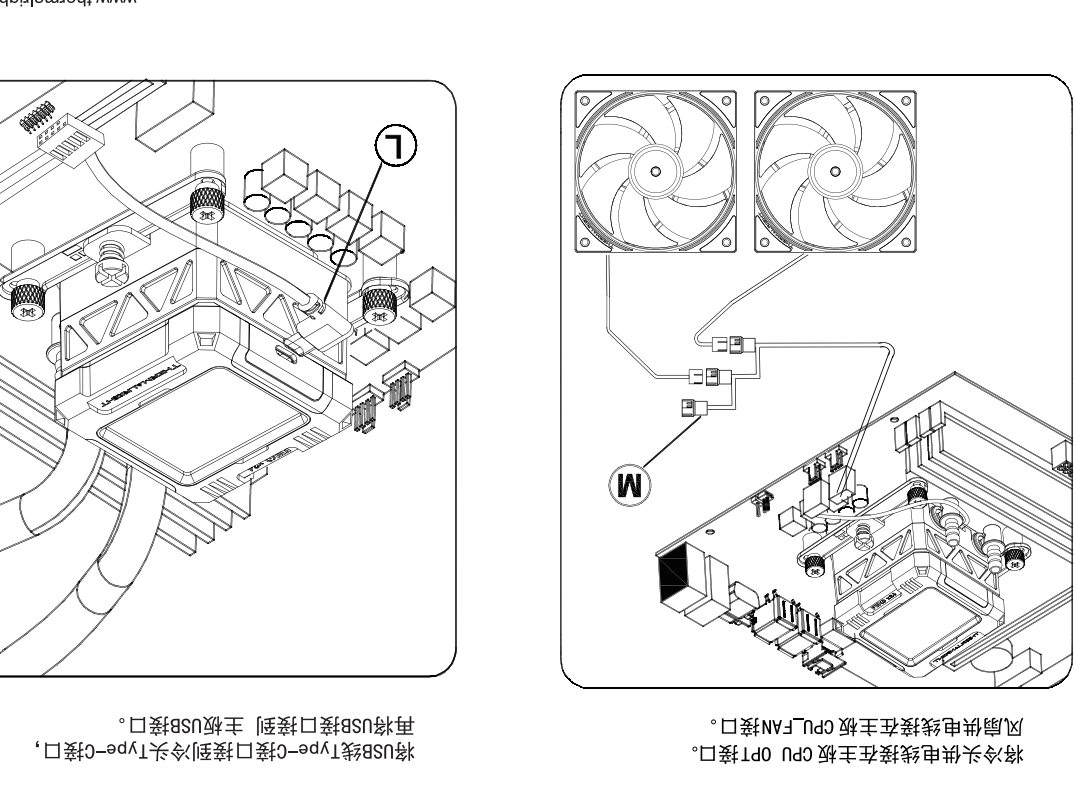
Rotate waterblock panel.



Magnetic Waterblock Panel can be adjusted to four directions.

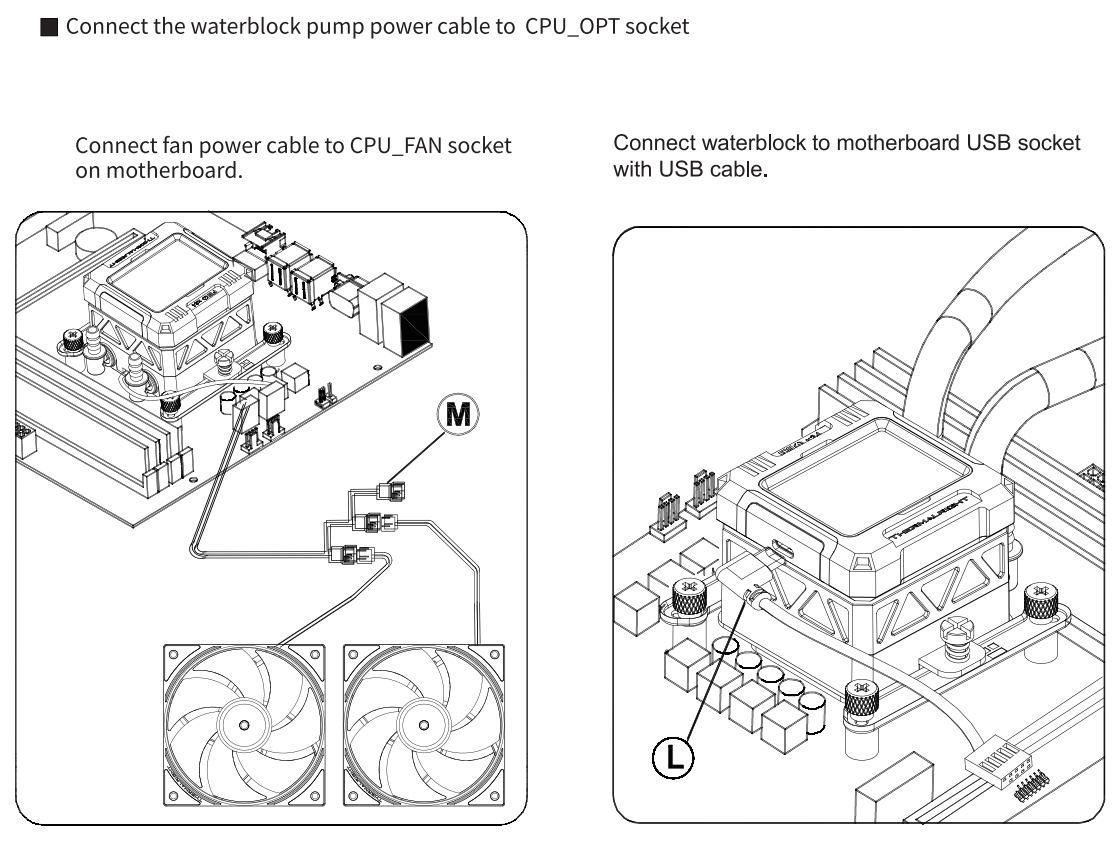


冷头上盖操作说明

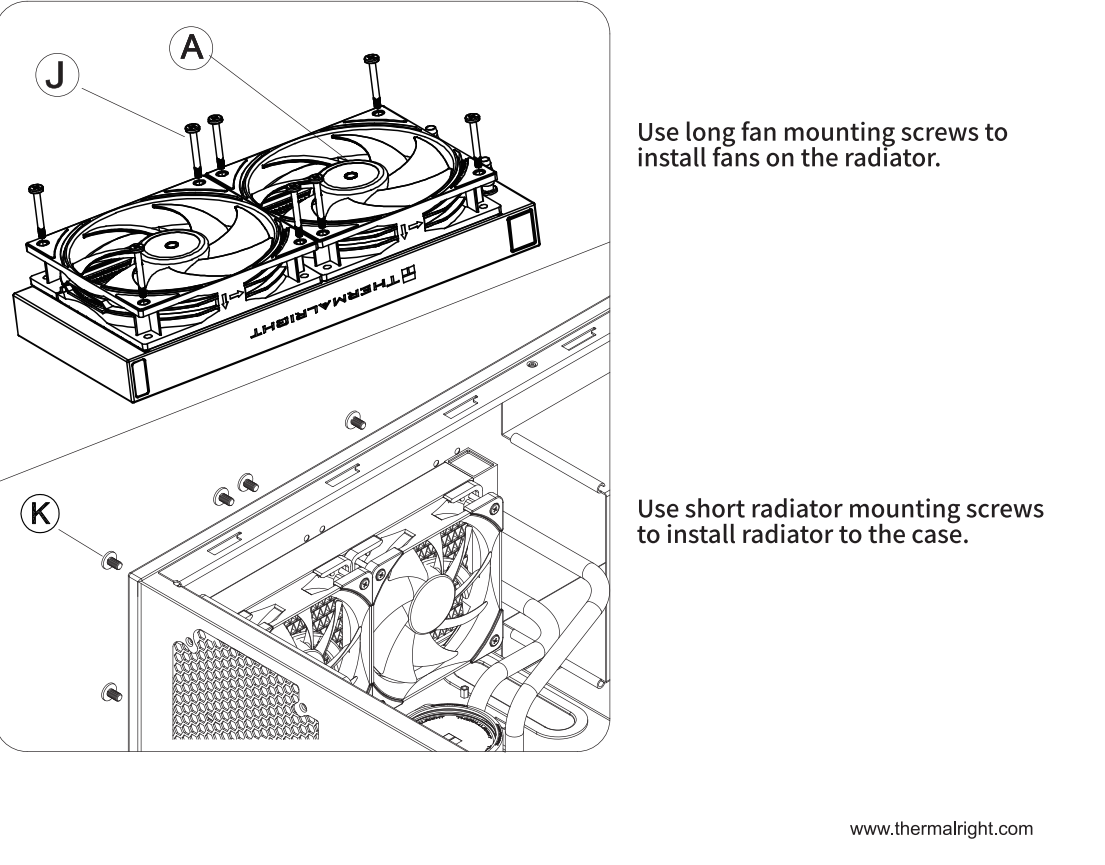


冷头/风扇使用说明

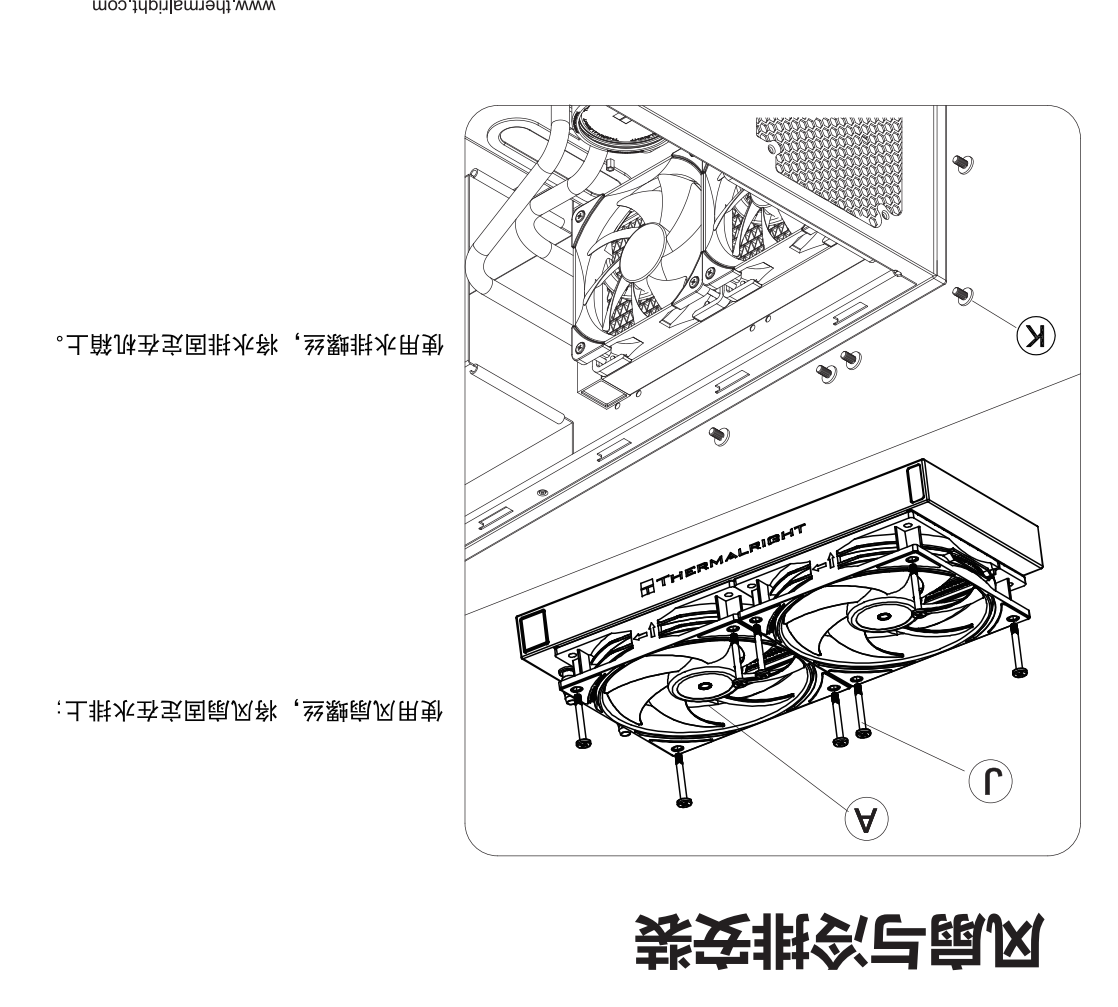
Waterblock/Fan Guide



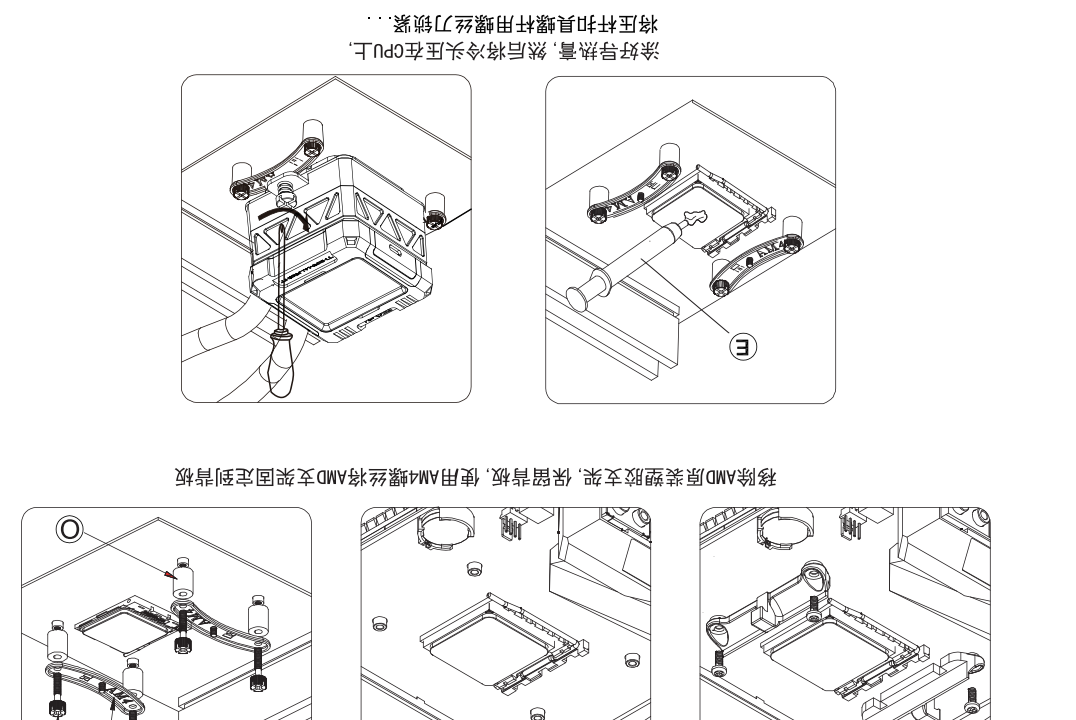
Fan&Radiator Mounting



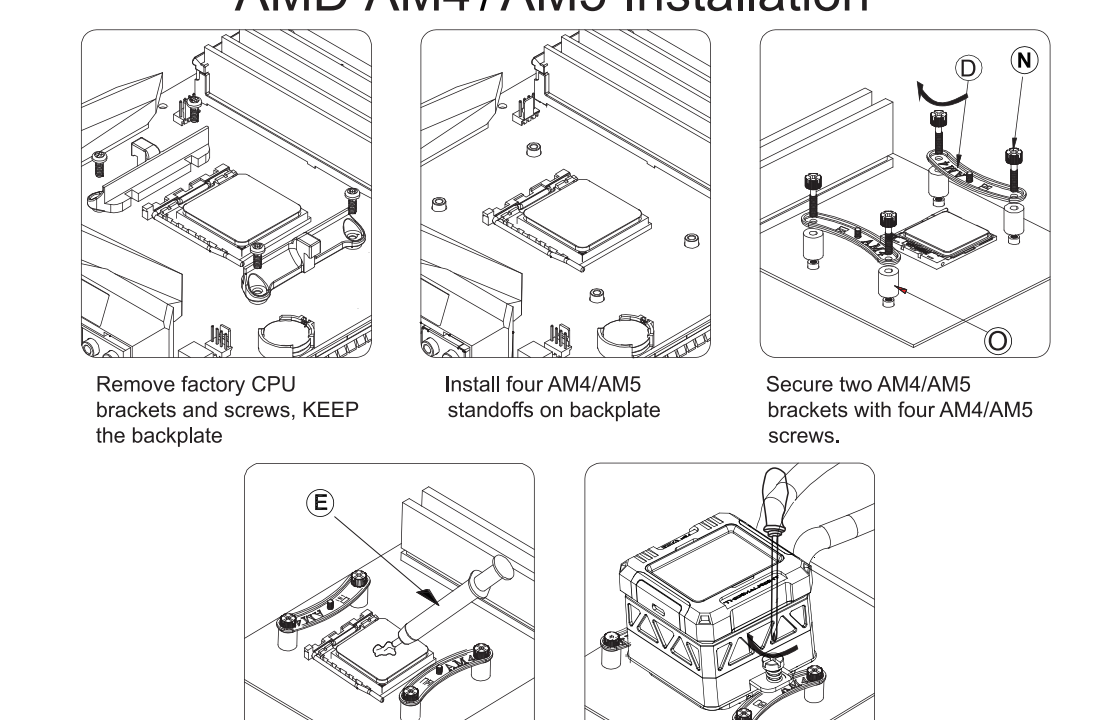
Use long fan mounting screws to install fans on the radiator.
Use short radiator mounting screws to install radiator to the case.



风扇与冷排安装



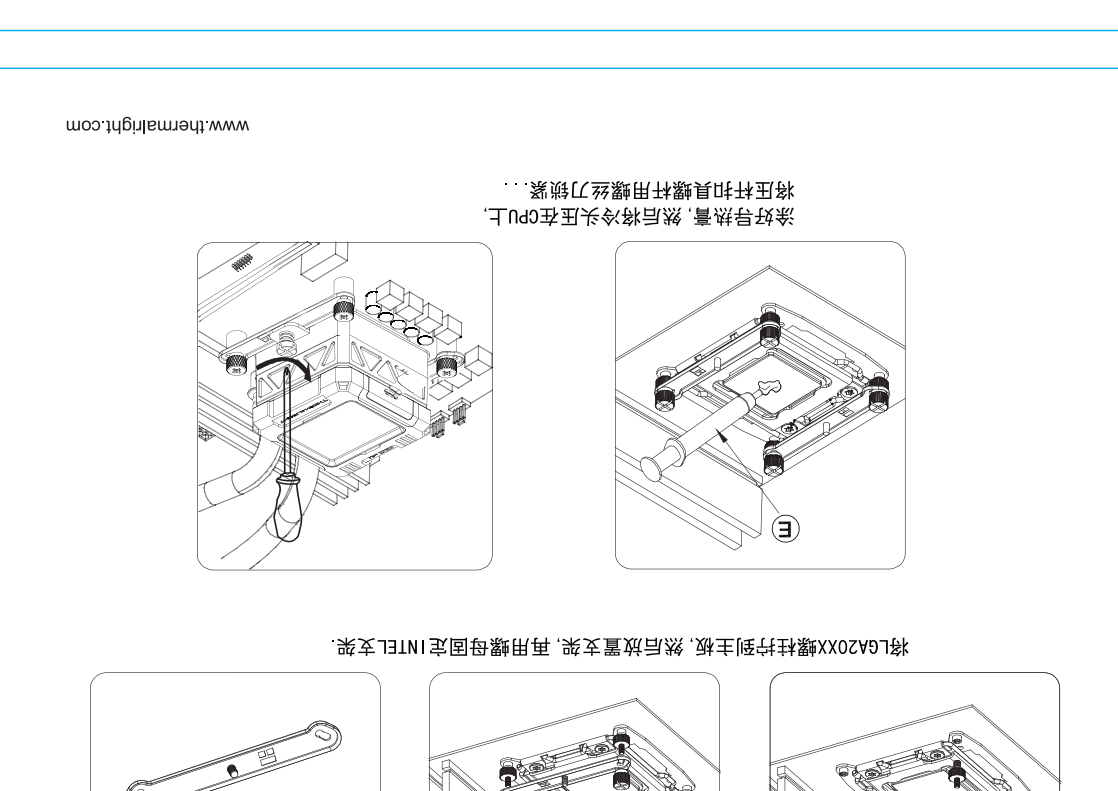
AMD AM4/AM5 安装



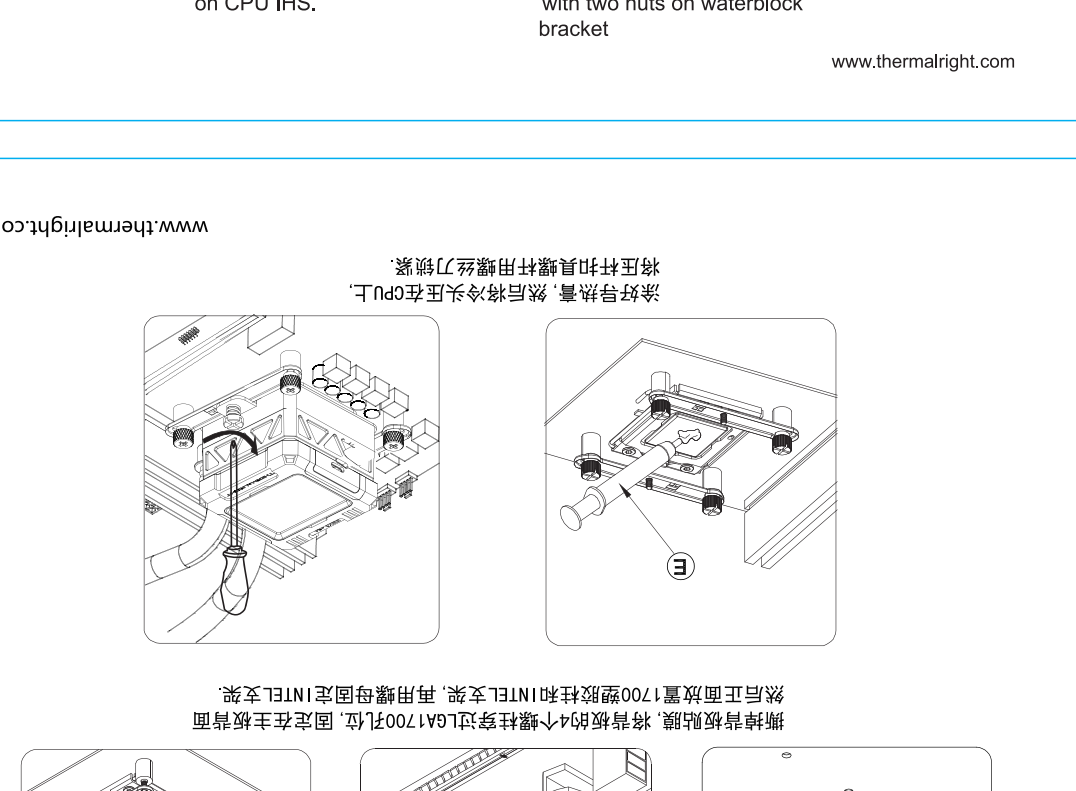
AMD AM4/AM5 Installation



INTEL LGA20XX 安装



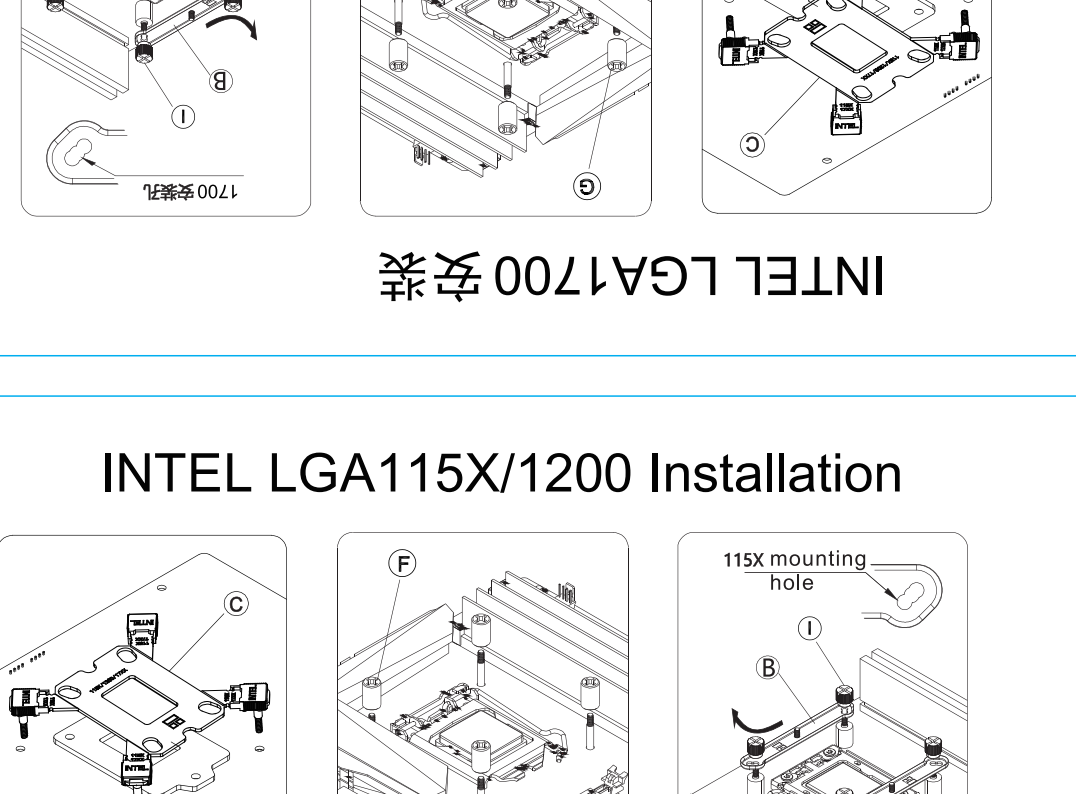
INTEL LGA20XX 安装



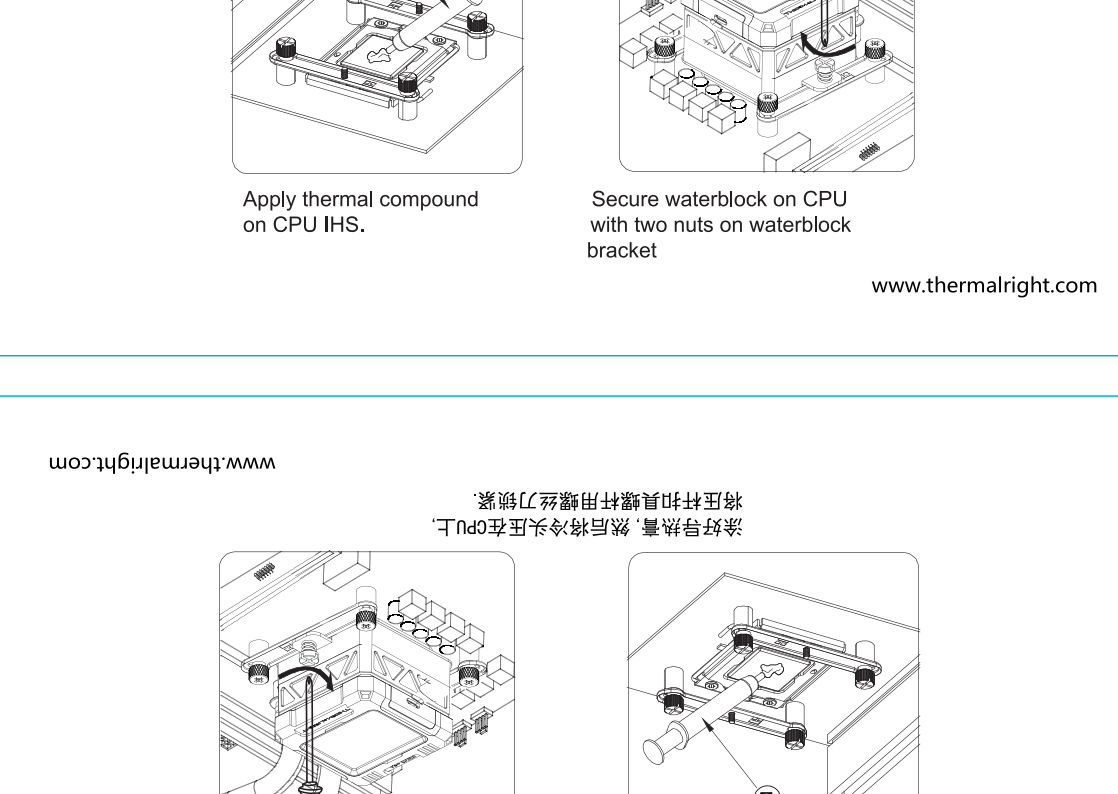
INTEL LGA1700 安装



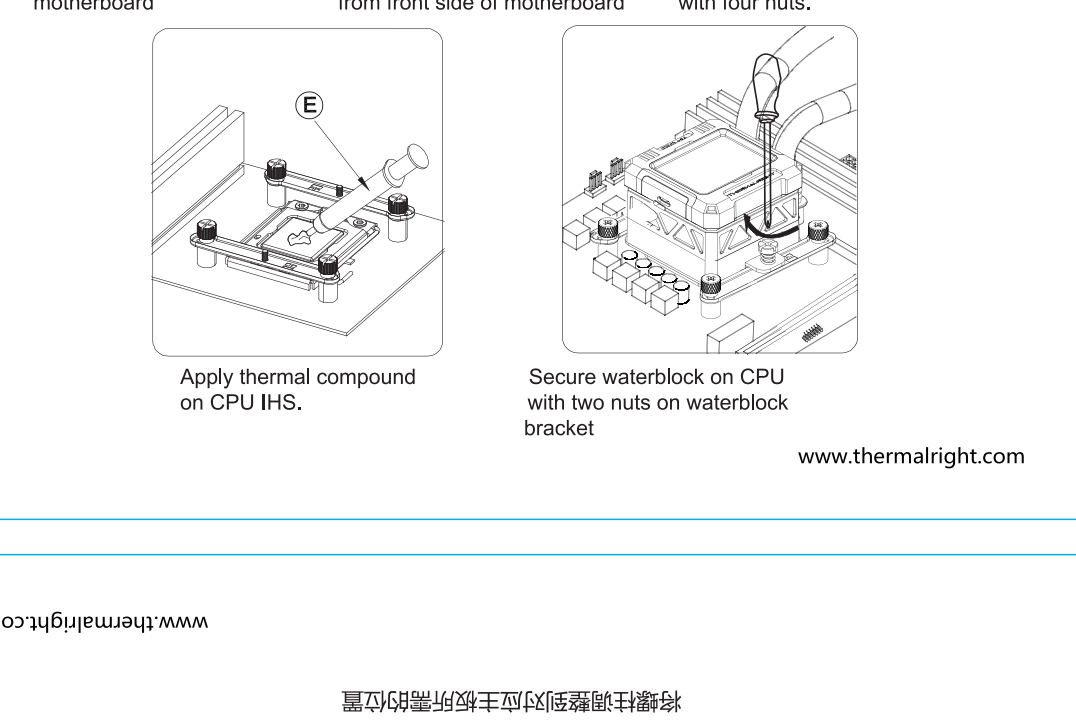
INTEL LGA1700 Installation



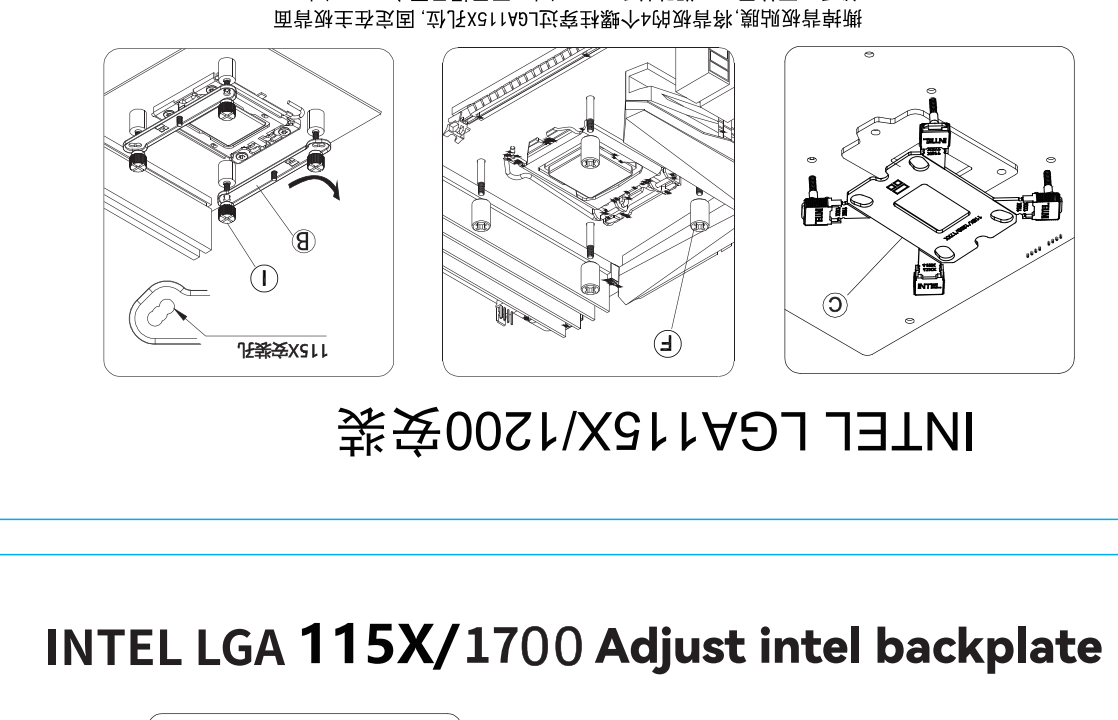
INTEL LGA115X/1200 安装



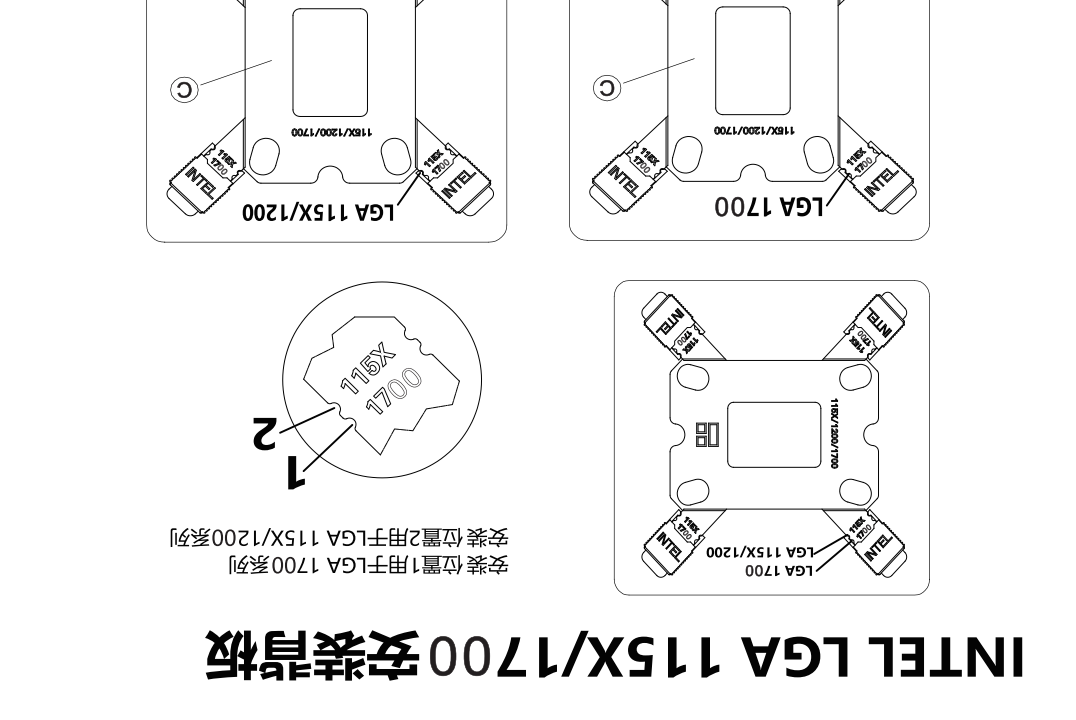
INTEL LGA115X/1200 安装



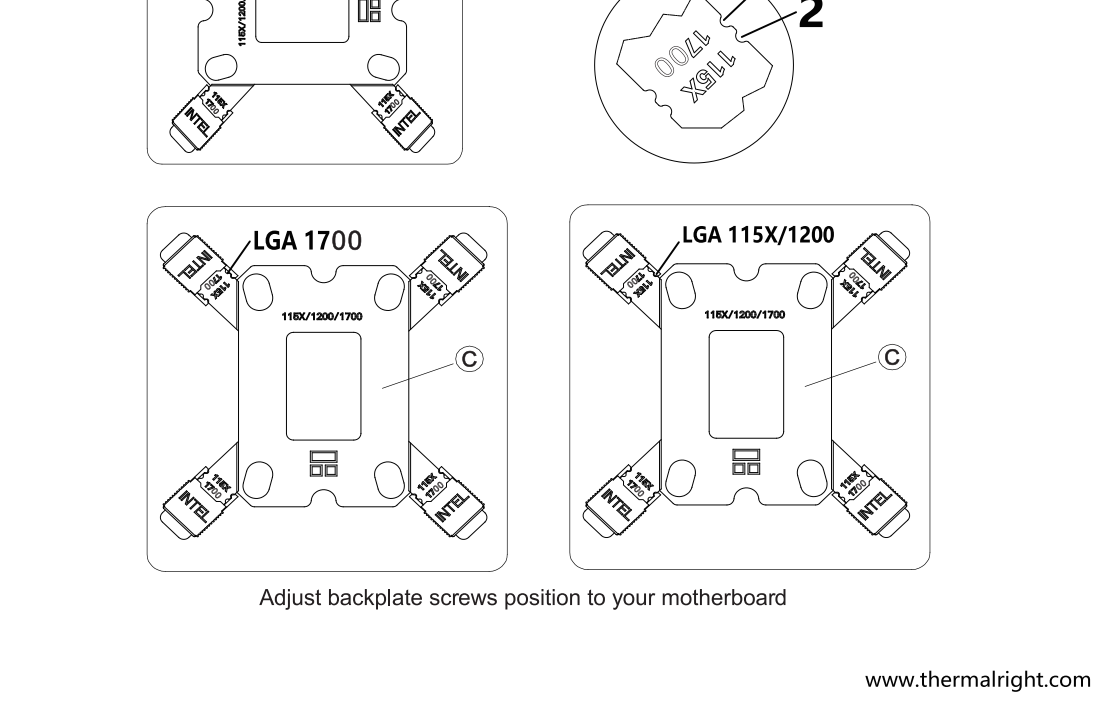
INTEL LGA 115X/1700 安装背板



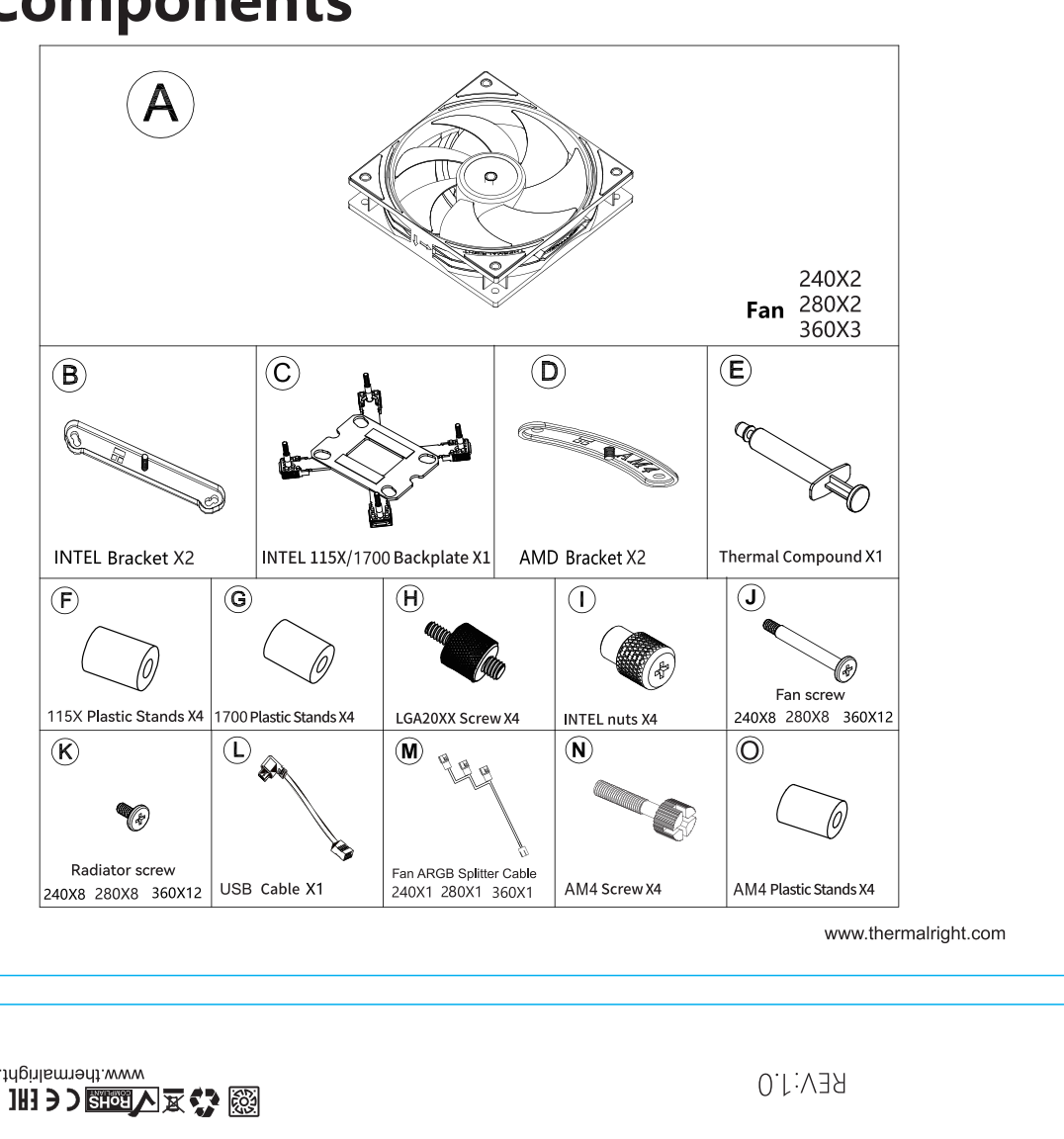
INTEL LGA 115X/1700 Adjust intel backplate



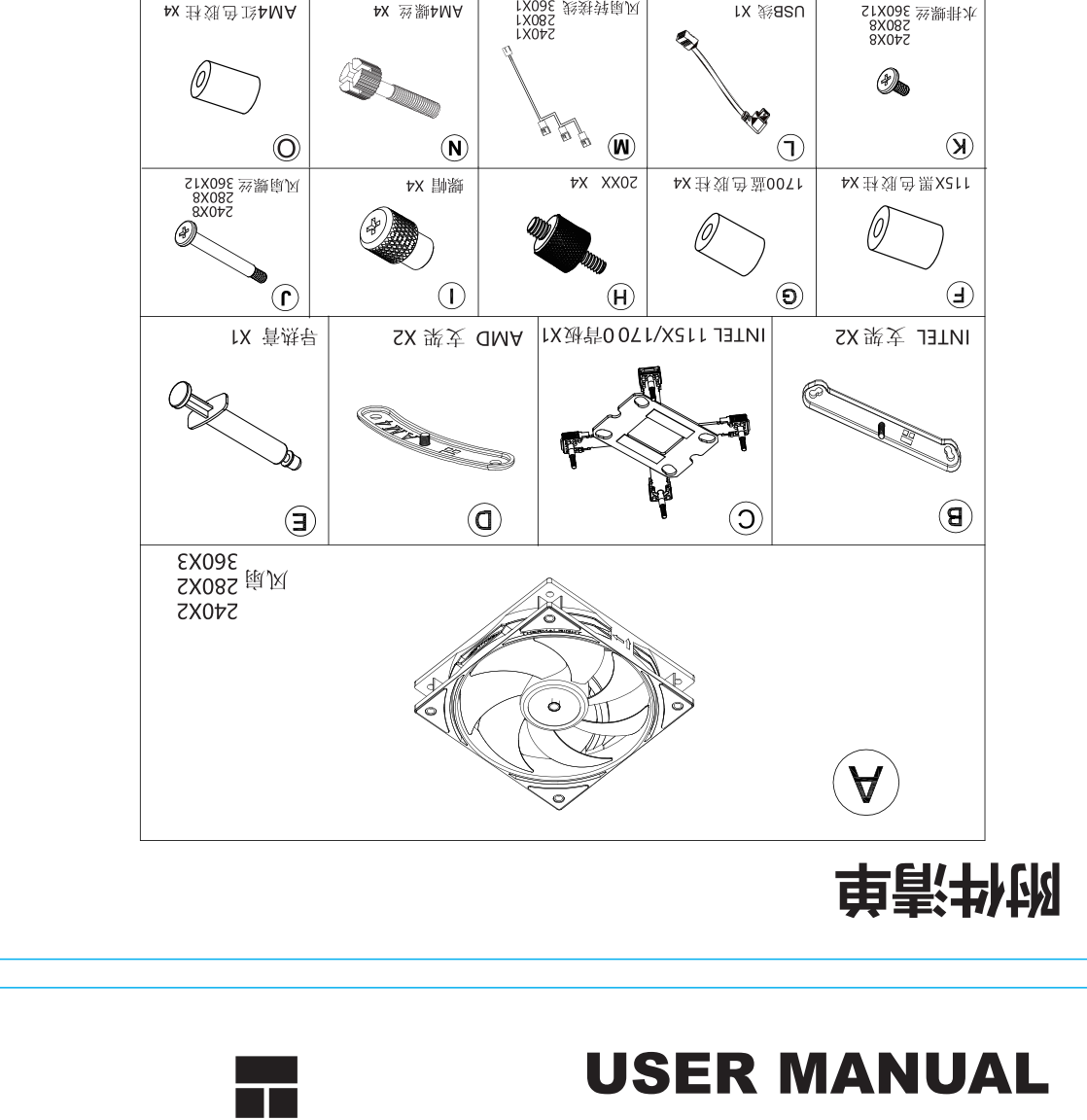
INTEL LGA 115X/1700 安装背板



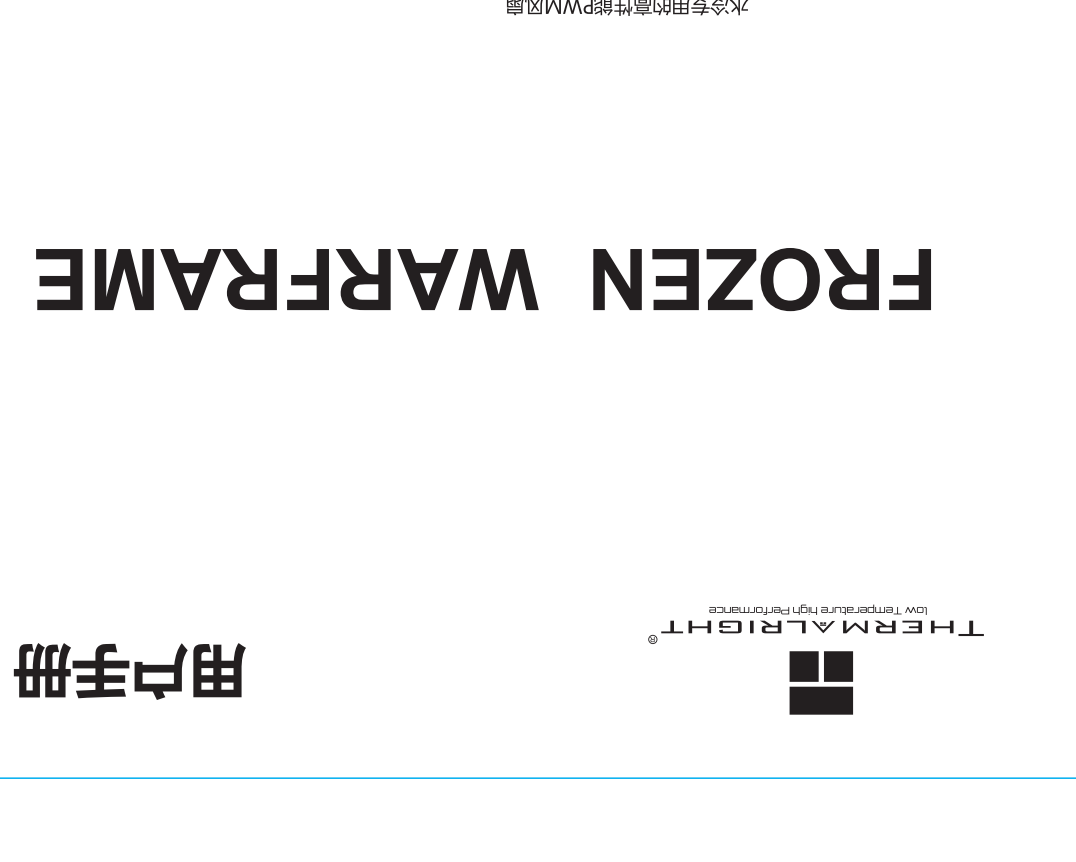
INTEL LGA 115X/1700 Adjust intel backplate



Components

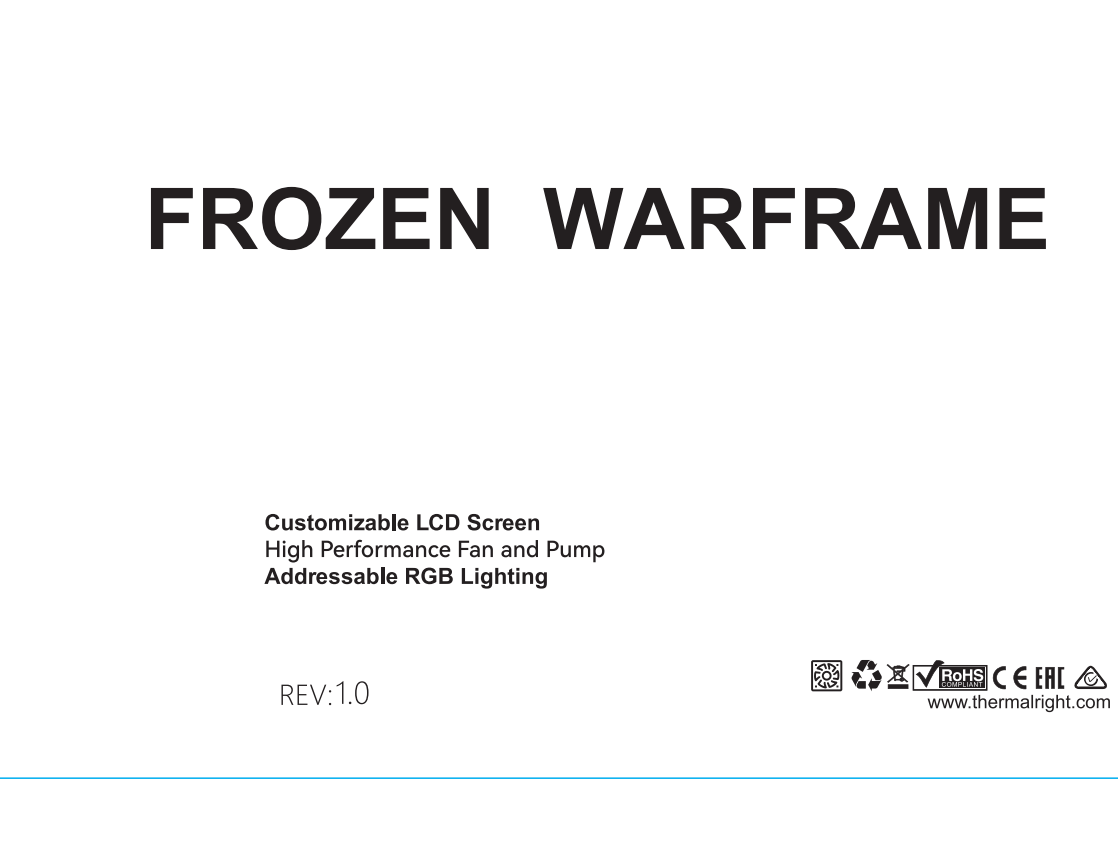


附件清单



FROZEN WARFRAME

用户手册



USER MANUAL

FROZEN WARFRAME

Customizable LCD Screen
High Performance Fan and Pump
Addressable RGB Lighting

REV.1.0