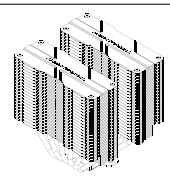
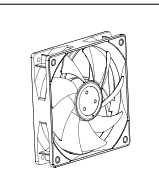
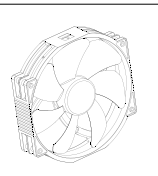

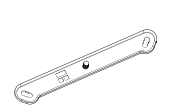

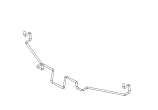
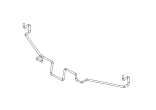

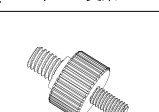
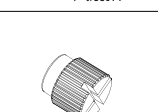
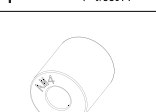



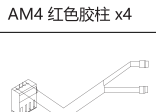
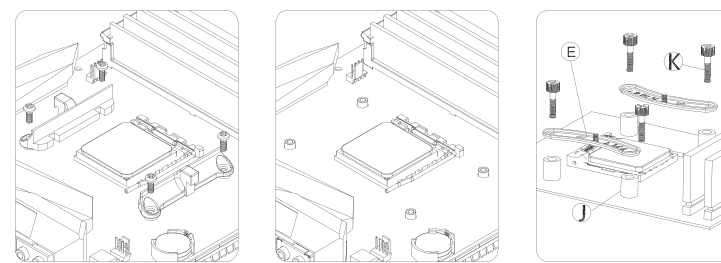



安装说明
PEERLESS ASSASSIN 140
系列
 ! 安装前请先去除铜底保护膜
www.thermalright.com

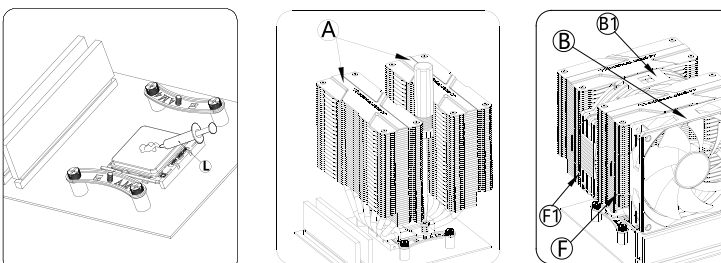
配件清单

AMD AM4/AM5

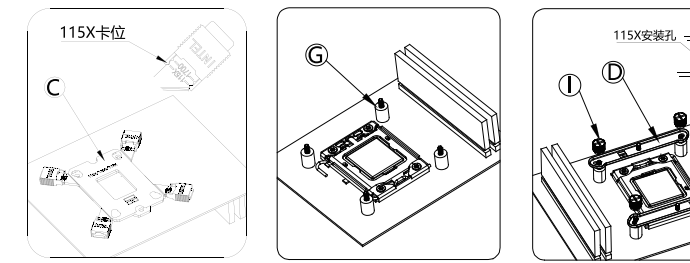


移除AMD原装塑胶支架, 保留背板. 放置AM4/AM5胶柱, 使用AM4/AM5螺丝将支架固定到主板.

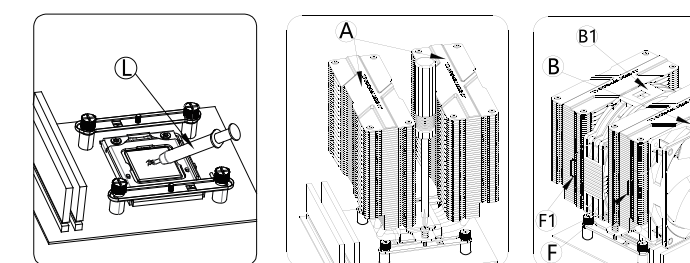


涂好导热膏, 然后用螺丝刀锁好主体, 再用风扇线扣固定风扇

INTEL LGA115X/1200

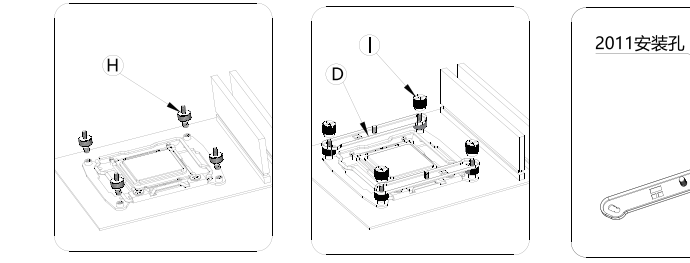


将背板推到LGA115X卡位, 对应主板孔位穿过主板, 然后从正面套入LGA1200胶柱, 放置Intel支架再用螺帽固定住.

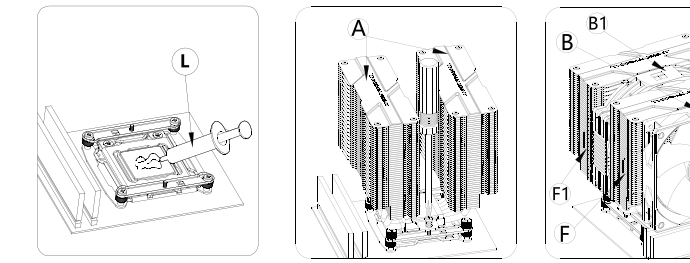


涂好导热膏, 然后用螺丝刀锁好主体, 再用风扇线扣固定风扇

INTEL LGA2011/2066

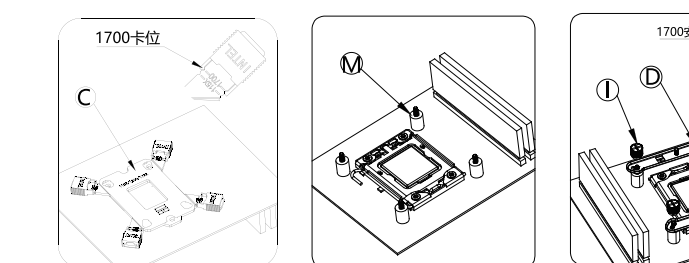


将LGA20XX螺柱拧到主板, 然后放置支架, 再用螺帽固定住INTEL支架.

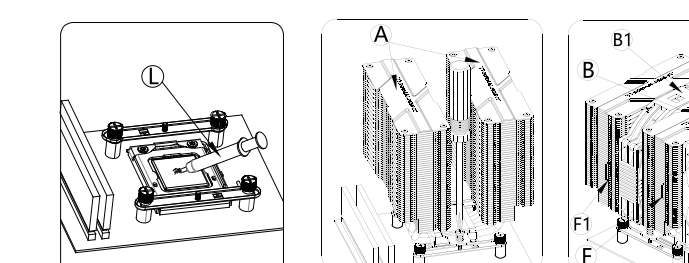


涂好导热膏, 然后用螺丝刀锁好主体, 再用风扇线扣固定风扇

INTEL LGA1700/1851




将背板推到LGA1700卡位, 对应主板孔位穿过主板, 然后从正面套入LGA1700胶柱, 放置Intel支架再用螺帽固定住.

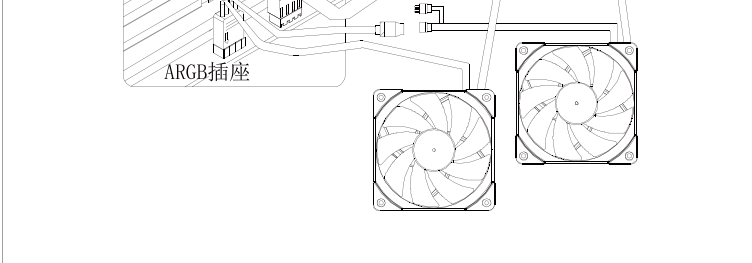


涂好导热膏, 然后用螺丝刀锁好主体, 再用风扇线扣固定风扇

风扇接线



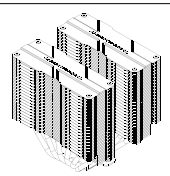
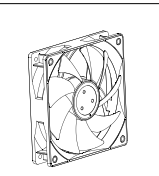
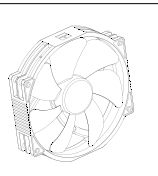

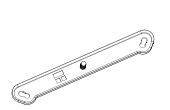

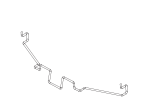
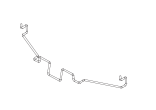
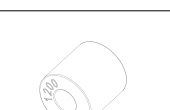
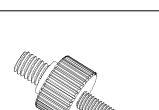
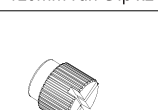

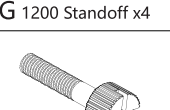



将风扇4针PWM接头插入主板CPU FAN插座
如果使用双风扇, 请使用Y型转接线.



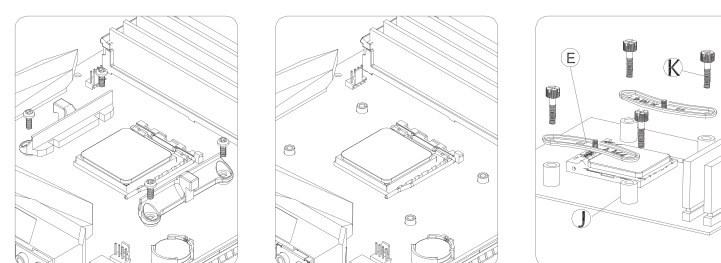
如果风扇有ARGB灯效, 请将ARGB 3针 (5V) 插入主板对应ARGB灯效插座或者控制器, 多风扇之间可串联同步.


INSTALLATION GUIDE
PEERLESS ASSASSIN 140
Series
 Please remove protective sticker before install
www.thermalright.com

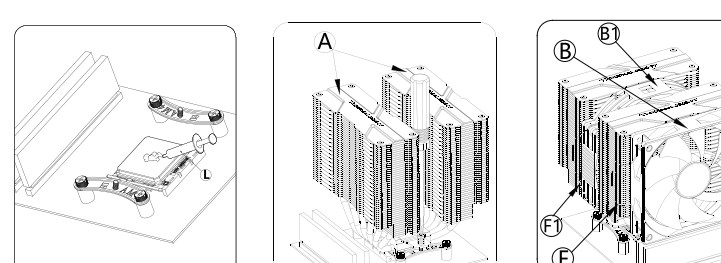
Parts List

AMD AM4/AM5

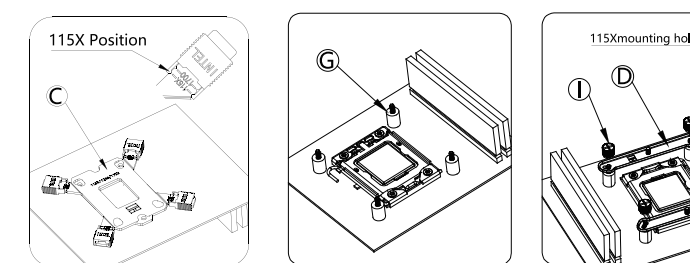


Remove AMD plastic brackets, Keep the back plate, install AM4/AM5 metal brackets with AM4/AM5 screws and AM4/AM5 plastic standoffs

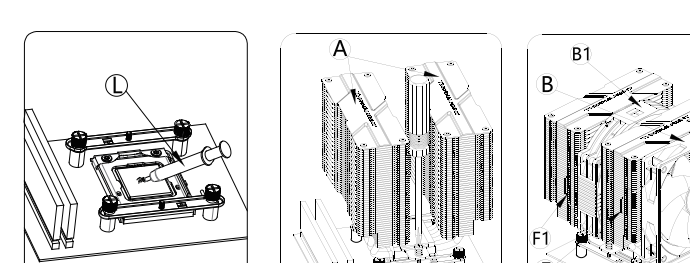


Apply thermal compound on CPU, install the heatsink with a screw driver, and install fans on heatsink with fan clips.

INTEL LGA115X/1200

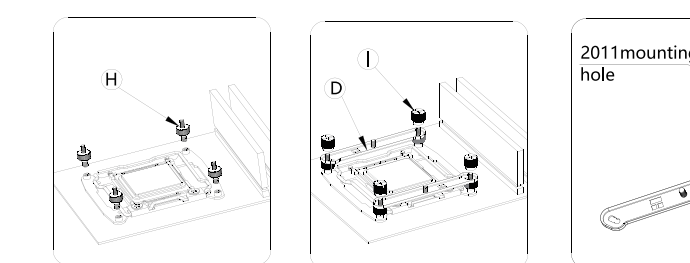


Adjust intel backplate hole position to 115X, then install backplate from backside of motherboard. Install 115X standoffs to backplate screws, then install intel brackets on standoffs with nuts.

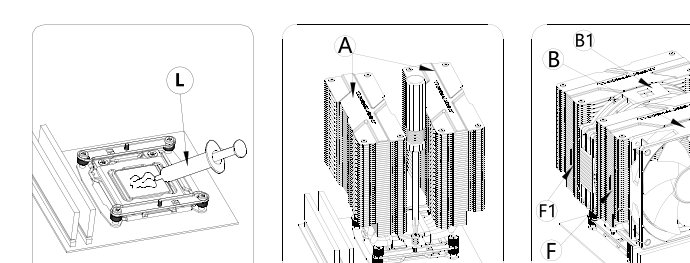


Apply thermal compound on CPU, install the heatsink with a screw driver, and install fans on heatsink with fan clips.

INTEL LGA2011/2066

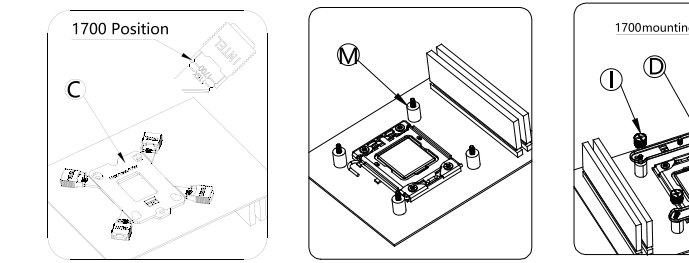


Install four Intel LGA20XX screws on motherboard ILM. Install two Intel brackets on LGA20XX screws, secure them with nuts, LGA20XX mounting hole on Intel brackets.

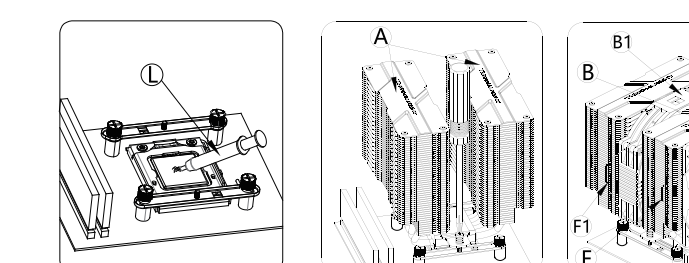


Apply thermal compound on CPU IHS. Secure heatsink on CPU with two nuts on heatsink.

INTEL LGA1700/1851

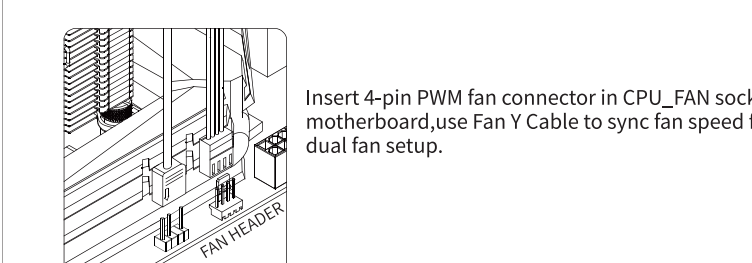


Adjust intel backplate hole position to 1700, then install backplate from backside of motherboard. Install 1700 standoffs to backplate screws, then install intel brackets on standoffs with nuts.

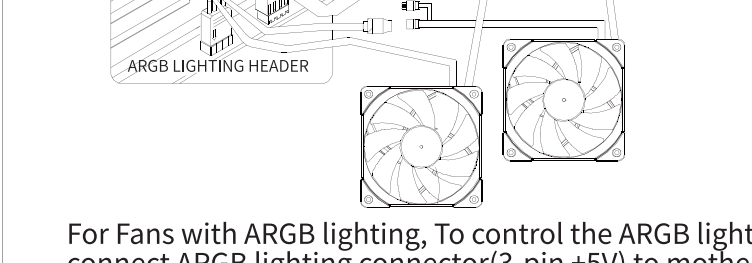


Apply thermal compound on CPU, install the heatsink with a screw driver, and install fans on heatsink with fan clips.

FAN WIRING



Insert 4-pin PWM fan connector in CPU_FAN socket on motherboard, use Fan Y Cable to sync fan speed for dual fan setup.



For Fans with ARGB lighting, To control the ARGB lighting connect ARGB lighting connector (3-pin +5V) to motherboard ARGB lighting socket or ARGB lighting controller, lighting effects can be sync by connecting fan lighting headers with each other